

# RESOLUTE™ RESA30/REXA30 absolute angle encoder system



This page is intentionally left blank.

## Contents

|   |    |
|---|----|
| Legal notices . . . . .   | 4  |
| Storage and handling . . . . .  | 6  |
| RESOLUTE readhead installation drawing – standard cable outlet . . . . .                              | 8  |
| RESOLUTE readhead installation drawing – side cable outlet. . . . .                                   | 9  |
| RESA30 ‘A’ section ring installation drawing . . . . .  | 10 |
| RESA30 ‘B’ section ring installation drawing . . . . .  | 12 |
| RESA30 ring mounting options . . . . .  | 14 |
| Equipment required for taper mounting the RESA30 ‘A’ section ring . . . . .                           | 15 |
| RESA30 ‘A’ section ring taper mounting. . . . .   | 16 |
| Equipment for interference fit mounting the RESA30 ‘A’ section and RESA30 ‘B’ section rings . . . . . | 20 |
| RESA30 ‘A’ section and RESA30 ‘B’ section ring interference fit mounting . . . . .                    | 21 |
| REXA30 ring installation drawing . . . . .  | 22 |
| Equipment for flange mounting the REXA30 ring. . . . .  | 24 |
| REXA30 ring flange mounting . . . . .   | 25 |
| Siemens DRIVE-CLiQ dual head installation . . . . .   | 29 |
| RESOLUTE readhead mounting and alignment. . . . .   | 30 |
| RESOLUTE readhead signals . . . . .   | 31 |
| RESOLUTE readhead termination options . . . . .   | 34 |
| Siemens DRIVE-CLiQ interface drawing – single readhead input . . . . .                                | 36 |
| Siemens DRIVE-CLiQ interface drawing – dual readhead input . . . . .                                  | 37 |
| Electrical connections. . . . .   | 38 |
| General specifications . . . . .  | 41 |
| RESA30 and REXA30 ring technical specifications . . . . .   | 42 |

## Legal notices

### Patents

Features of Renishaw's encoder systems and similar products are the subjects of the following patents and patent applications:

|               |            |            |           |            |
|---------------|------------|------------|-----------|------------|
| CN1260551     | DE10296644 | GB2395005  | JP4008356 | US7499827  |
| CN102197282   | EP2350570  | JP5480284  | KR1630471 | US8505210  |
| CN102388295   | EP2417423  | JP5659220  | KR1701535 | US10132657 |
| CN102460077   | EP2438402  | JP5755223  | JP6074392 | KR1851015  |
| US20120072169 | EP01103791 | US6465773  | EP1094302 | JP5442174  |
| US6481115     | CN1293983  | DE10297440 | GB2397040 | JP4813018  |
| US7723639     | CN1314511  | EP1469969  | EP2390045 | JP5002559  |
| US8466943     | US8987633  | JP4423196  | US7367128 |            |

### Terms and conditions and warranty

Unless you and Renishaw have agreed and signed a separate written agreement, the equipment and/or software are sold subject to the Renishaw Standard Terms and Conditions supplied with such equipment and/or software, or available on request from your local Renishaw office.

Renishaw warrants its equipment and software for a limited period (as set out in the Standard Terms and Conditions), provided that they are installed and used exactly as defined in associated Renishaw documentation. You should consult these Standard Terms and Conditions to find out the full details of your warranty.

Equipment and/or software purchased by you from a third-party supplier is subject to separate terms and conditions supplied with such equipment and/or software. You should contact your third-party supplier for details.

### Declaration of Conformity

Renishaw plc hereby declares that the RESOLUTE™ encoder system is in compliance with the essential requirements and other relevant provisions of:

- the applicable EU directives
- the relevant statutory instruments under UK law



The full text of the declaration of conformity is available at: [www.renishaw.com/productcompliance](http://www.renishaw.com/productcompliance).

### Compliance

#### Federal Code Of Regulation (CFR) FCC Part 15 – RADIO FREQUENCY DEVICES

##### 47 CFR Section 15.19

This device complies with part 15 of the FCC Rules. Operation is subject to the following two conditions: (1) This device may not cause harmful interference, and (2) this device must accept any interference received, including interference that may cause undesired operation.

##### 47 CFR Section 15.21

The user is cautioned that any changes or modifications not expressly approved by Renishaw plc or authorised representative could void the user's authority to operate the equipment.

##### 47 CFR Section 15.105

This equipment has been tested and found to comply with the limits for a Class A digital device, pursuant to part 15 of the FCC Rules. These limits are designed to provide reasonable protection against harmful interference when the equipment is operated in a commercial environment.

This equipment generates, uses, and can radiate radio frequency energy and, if not installed and used in accordance with the instruction manual, may cause harmful interference to radio communications. Operation of this equipment in a residential area is likely to cause harmful interference in which case the user will be required to correct the interference at his own expense.

## 47 CFR Section 15.27

This unit was tested with shielded cables on the peripheral devices. Shielded cables must be used with the unit to ensure compliance.

## Supplier's Declaration of Conformity

### 47 CFR § 2.1077 Compliance Information

**Unique Identifier:** RESOLUTE

### Responsible Party - U.S. Contact Information

Renishaw Inc.  
 1001 Wesemann Drive  
 West Dundee  
 Illinois  
 IL 60118  
 United States  
 Telephone number: +1 847 286 9953  
 Email: [usa@renishaw.com](mailto:usa@renishaw.com)

### ICES-001 — Industrial, Scientific and Medical (ISM) Equipment (Canada)

This ISM device complies with CAN ICES-001.

Cet appareil ISM est conforme à la norme ICES-001 du Canada.

## Intended use

The RESOLUTE encoder system is designed to measure position and provide that information to a drive or controller in applications requiring motion control. It must be installed, operated, and maintained as specified in Renishaw documentation and in accordance with the Standard Terms and Conditions of the Warranty and all other relevant legal requirements.

## Further information

Further information relating to the RESOLUTE encoder range can be found in the RESOLUTE data sheets. These can be downloaded from our website [www.renishaw.com/resolutedownloads](http://www.renishaw.com/resolutedownloads) and are also available from your local Renishaw representative.

## Packaging

The packaging of our products contains the following materials and can be recycled.

| Packing component | Material                      | ISO 11469      | Recycling guidance |
|-------------------|-------------------------------|----------------|--------------------|
| Outer box         | Cardboard                     | Not applicable | Recyclable         |
|                   | Polypropylene                 | PP             | Recyclable         |
| Inserts           | Low density polyethylene foam | LDPE           | Recyclable         |
|                   | Cardboard                     | Not applicable | Recyclable         |
| Bags              | High density polyethylene bag | HDPE           | Recyclable         |
|                   | Metallised polyethylene       | PE             | Recyclable         |

## REACH regulation

Information required by Article 33(1) of Regulation (EC) No. 1907/2006 ("REACH") relating to products containing substances of very high concern (SVHCs) is available at [www.renishaw.com/REACH](http://www.renishaw.com/REACH).

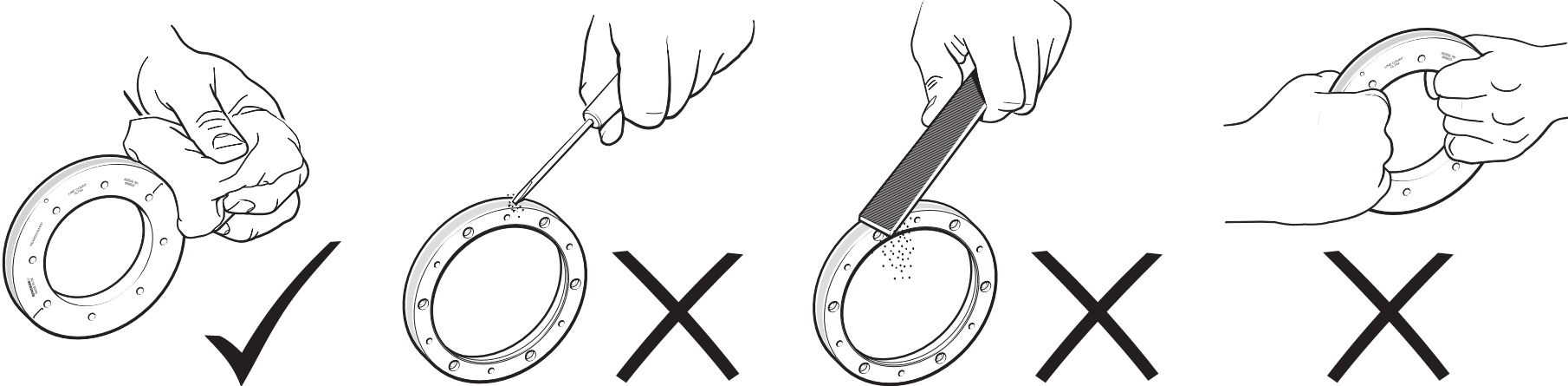
## Disposal of waste electrical and electronic equipment



The use of this symbol on Renishaw products and/or accompanying documentation indicates that the product should not be mixed with general household waste upon disposal. It is the responsibility of the end user to dispose of this product at a designated collection point for waste electrical and electronic equipment (WEEE) to enable reuse or recycling. Correct disposal of this product will help to save valuable resources and prevent potential negative effects on the environment. For more information, contact your local waste disposal service or Renishaw distributor.

# Storage and handling

RESOLUTE RESA30 and REXA30 are non-contact optical encoders that provide good immunity against contaminants such as dust, fingerprints and light oils. However, in harsh environments such as machine tool applications, protection should be provided to prevent ingress of coolant or oil.

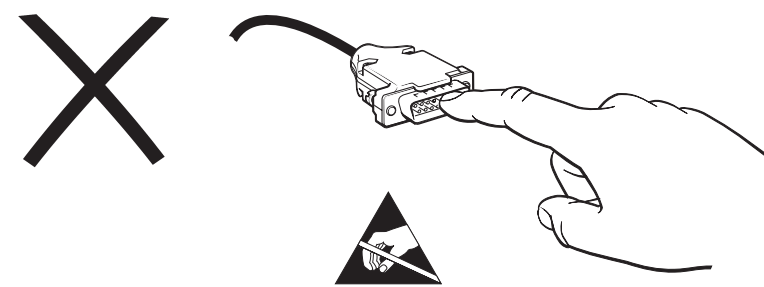


| System   | Ring only   | Readhead and DRIVE-CLiQ interface                                       |
|--|---|---|
| <p>N-heptane</p> <p><chem>CH3(CH2)5CH3</chem></p> <p><b>NOTE:</b> Do not use N-heptane on Extended Temperature Range (ETR) readheads</p> | <p>Acetone</p> <p><chem>CH3COCH3</chem></p> <p>Chlorinated Solvents</p> | <p>Acetone</p> <p><chem>CH3COCH3</chem></p> <p>Chlorinated Solvents</p> |
| <p>Propan-2-ol</p> <p><chem>CH3CHOHCH3</chem></p> <p>✓</p>   | <p>Methylated Spirits</p> <p>✓</p>                                      | <p>Methylated Spirits</p> <p>✗</p>                                      |

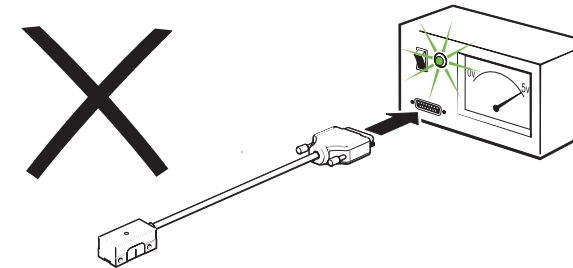
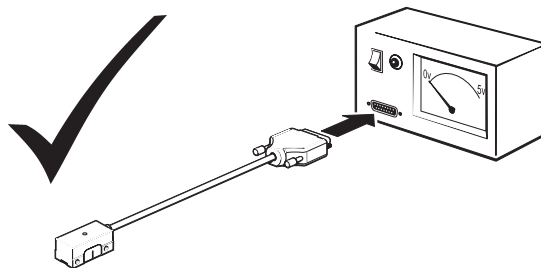
### Readhead



### Readhead and DRIVE-CLiQ interface

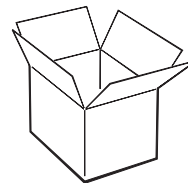


### Readhead and DRIVE-CLiQ interface

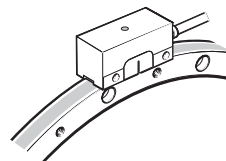


### Temperature

| Storage   |                  |
|---|------------------|
| Standard readhead, DRIVE-CLiQ interface, and RESA30/REXA30 ring | -20 °C to +80 °C |
| ETR readhead  | -40 °C to +80 °C |
| UHV readhead  | 0 °C to +80 °C   |
| Bakeout   | +120 °C          |

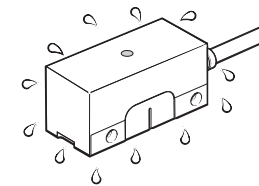
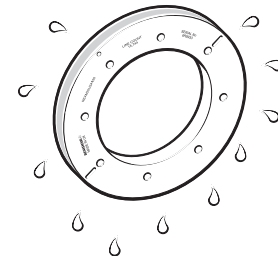


| Operating                           |                  |
|-------------------------------------|------------------|
| Standard readhead                   | 0 °C to +80 °C   |
| ETR readhead and RESA30/REXA30 ring | -40 °C to +80 °C |
| UHV readhead                        | 0 °C to +75 °C   |
| DRIVE-CLiQ interface                | 0 °C to +55 °C   |



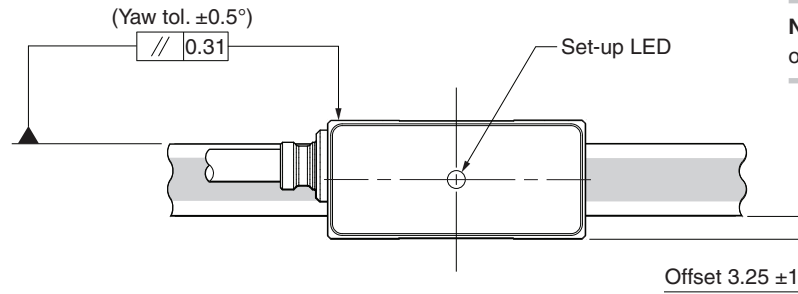
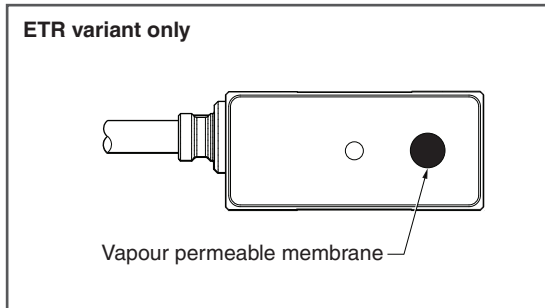
### Humidity

|                                    |  |
|------------------------------------|--|
| Standard readhead and UHV readhead | 95% relative humidity (non-condensing) to IEC 60068-2-78                 |
| ETR readhead                       | 0 °C to 60 °C, 95% relative humidity decreasing linearly to 40% at 80 °C |

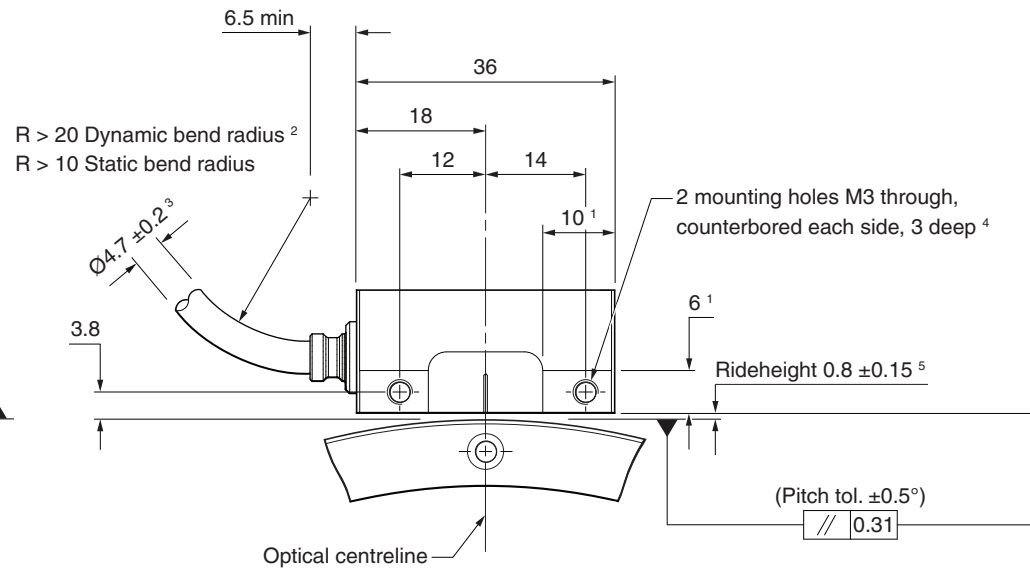
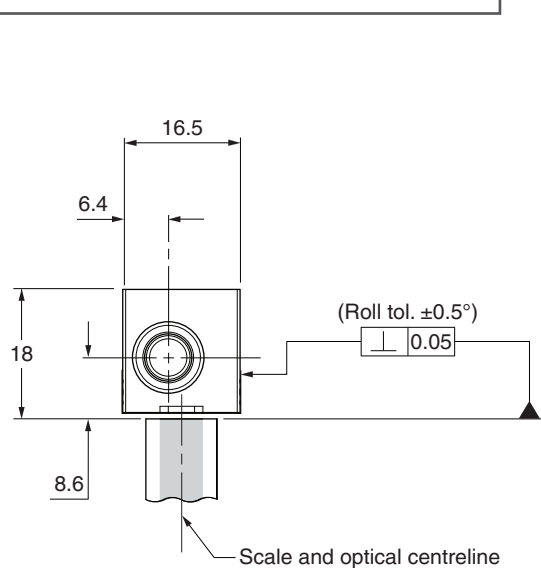


# RESOLUTE readhead installation drawing – standard cable outlet

Dimensions and tolerances in mm



**NOTE:** RESOLUTE readhead shown on RESA30 'A' section ring.



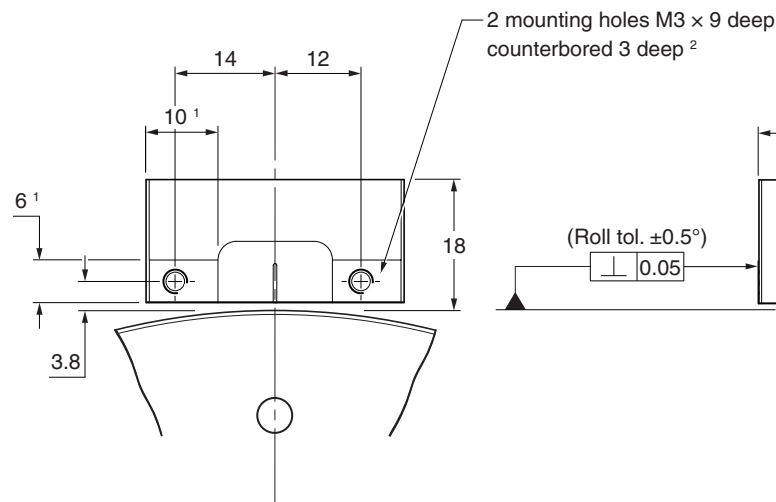
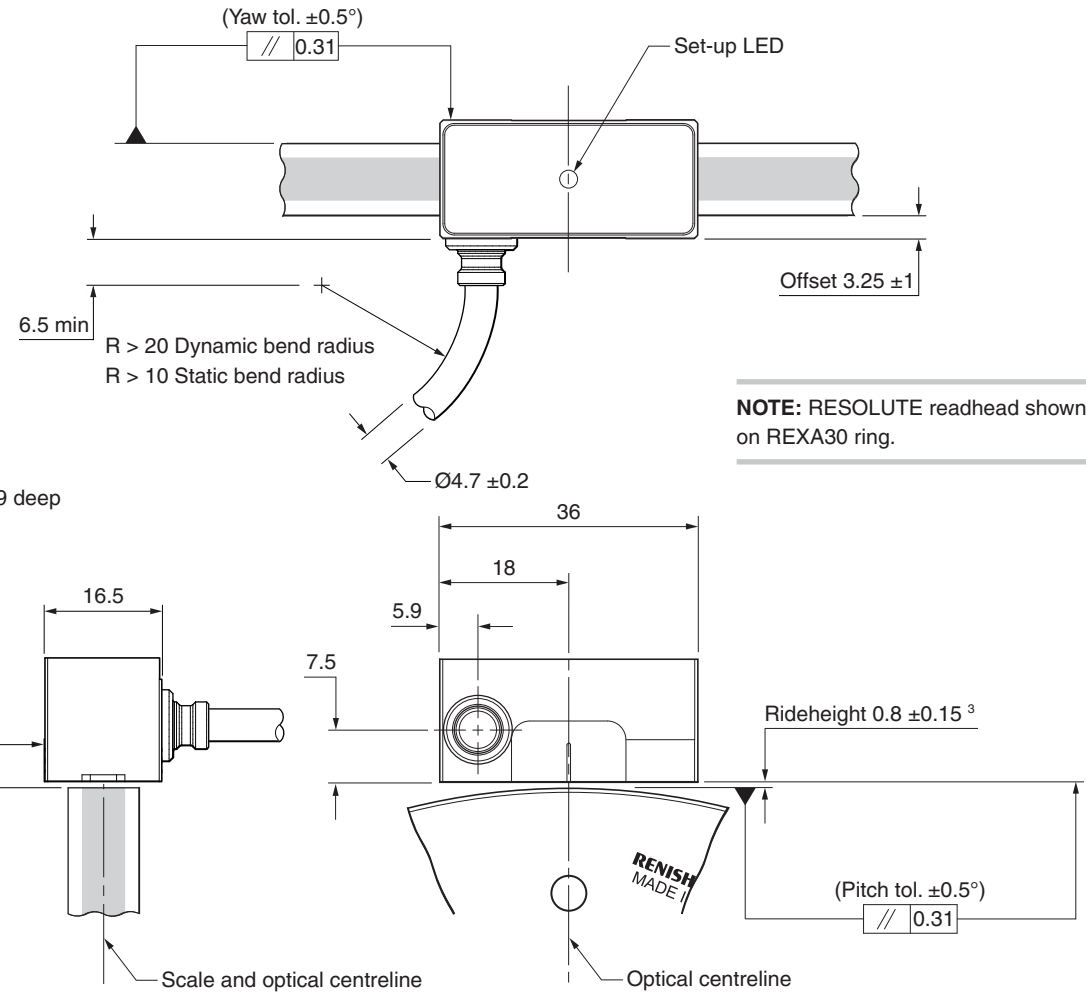
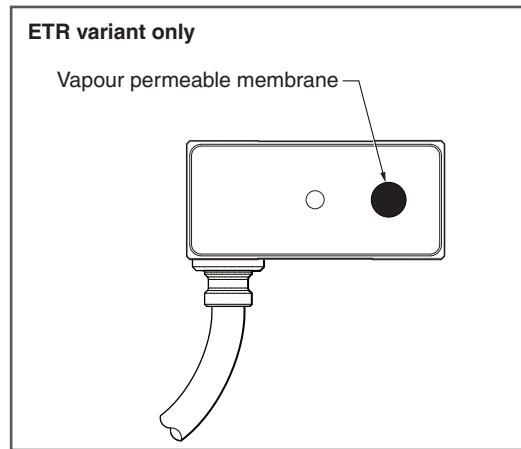
'Forward' direction of ring (increasing count)  
irrespective of readhead orientation

- 1 Extent of mounting faces.
- 2 Dynamic bend radius not applicable for UHV cables.
- 3 UHV cable diameter 2.7 mm.
- 4 The recommended thread engagement is 5 mm minimum (8 mm including counterbore) and the recommended tightening torque is 0.5 Nm to 0.7 Nm.
- 5  $0.8 \pm 0.1$  mm on 52 mm rings.



# RESOLUTE readhead installation drawing – side cable outlet

Dimensions and tolerances in mm



<sup>1</sup> Extent of mounting faces.

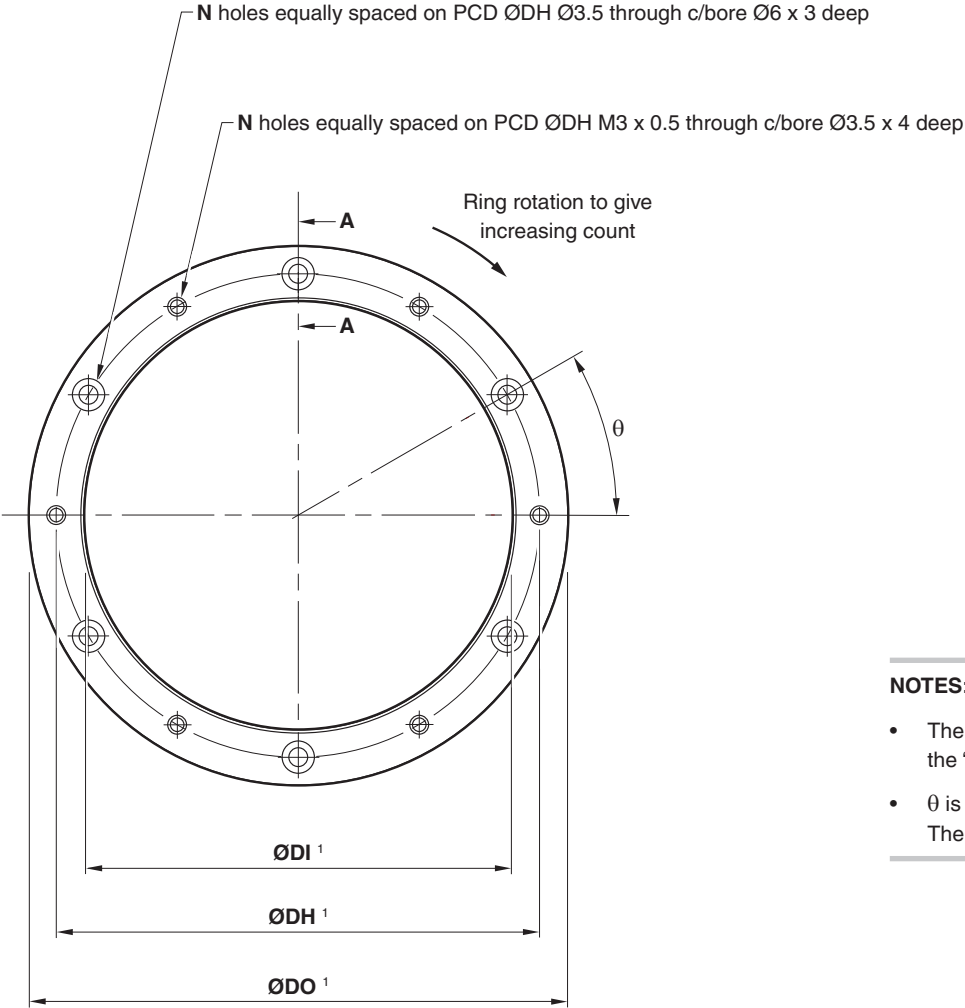
<sup>2</sup> The recommended thread engagement is 5 mm minimum (8 mm including counterbore) and the recommended tightening torque is 0.5 Nm to 0.7 Nm.

<sup>3</sup>  $0.8 \pm 0.1$  mm on 52 mm rings.

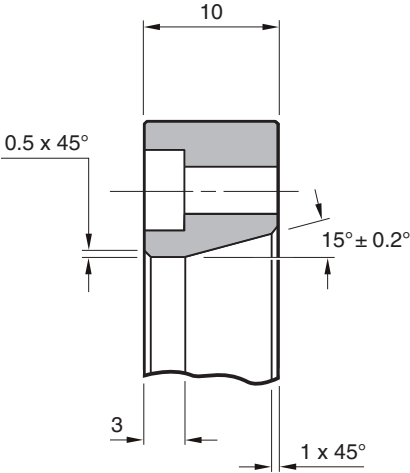
'Forward' direction of ring (increasing count)  
irrespective of readhead orientation

# RESA30 'A' section ring installation drawing

Dimensions and tolerances in mm



Section A-A



**NOTES:**

- The scale zero position is radially aligned with the centre of the mounting hole to the left of the 'Renishaw' logo.
- $\theta$  is the angle between one tapped hole and the adjacent clearance hole. The angle between two clearance holes is  $2\theta$ .

<sup>1</sup> The dimensions DO, DI and DH for the RESA 'A' section rings are listed on the following page.

## RESA30 'A' section ring dimensions

| Nominal external diameter (mm) | DO (mm)          | DI (mm)          | Mounting holes |    |     |
|--------------------------------|------------------|------------------|----------------|----|-----|
|                                |                  |                  | DH (mm)        | N  | θ   |
| 52                             | 52.20<br>52.10   | 30.04<br>30.00   | 40             | 6  | 30° |
| 57                             | 57.35<br>57.25   | 37.04<br>37.00   | 47             | 6  | 30° |
| 75                             | 75.40<br>75.30   | 55.04<br>55.00   | 65             | 6  | 30° |
| 100                            | 100.30<br>100.20 | 80.04<br>80.00   | 90             | 6  | 30° |
| 101                            | 101.30<br>102.20 | 80.04<br>80.00   | 90             | 6  | 30° |
| 103                            | 103.20<br>103.00 | 80.04<br>80.00   | 90             | 6  | 30° |
| 104                            | 104.40<br>104.20 | 80.04<br>80.00   | 90             | 6  | 30° |
| 115                            | 114.70<br>114.50 | 95.04<br>95.00   | 105            | 6  | 30° |
| 124                            | 124.10<br>123.90 | 104.04<br>104.00 | 114            | 6  | 30° |
| 150                            | 150.40<br>150.20 | 130.04<br>130.00 | 140            | 9  | 20° |
| 172                            | 172.04<br>171.84 | 152.04<br>152.00 | 162            | 9  | 20° |
| 183                            | 183.45<br>183.25 | 163.04<br>163.00 | 172            | 9  | 20° |
| 200                            | 200.40<br>200.20 | 180.04<br>180.00 | 190            | 12 | 15° |
| 206                            | 206.50<br>206.10 | 186.05<br>186.00 | 196            | 12 | 15° |
| 209                            | 208.80<br>208.40 | 186.05<br>186.00 | 196            | 12 | 15° |
| 229                            | 229.40<br>229.00 | 209.05<br>209.00 | 219            | 12 | 15° |

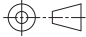
| Nominal external diameter (mm) | DO (mm)          | DI (mm)          | Mounting holes |    |        |
|--------------------------------|------------------|------------------|----------------|----|--------|
|                                |                  |                  | DH (mm)        | N  | θ      |
| 255                            | 254.80<br>254.40 | 235.06<br>235.00 | 245            | 12 | 15°    |
| 280                            | 280.30<br>279.90 | 260.06<br>260.00 | 270            | 12 | 15°    |
| 300                            | 300.40<br>300.20 | 280.06<br>280.00 | 290            | 16 | 11.25° |
| 330                            | 330.10<br>329.90 | 310.06<br>310.00 | 320            | 16 | 11.25° |
| 350                            | 350.40<br>350.20 | 330.06<br>330.00 | 340            | 16 | 11.25° |
| 413                            | 412.70<br>412.30 | 392.08<br>392.00 | 402            | 18 | 10°    |
| 417                            | 417.40<br>417.00 | 380.10<br>380.00 | 390            | 18 | 10°    |
| 489 <sup>1</sup>               | 489.12<br>488.72 | 451.10<br>450.90 | 462            | 20 | 18°    |
| 550                            | 550.20<br>549.80 | 510.10<br>510.00 | 520            | 20 | 9°     |

**IMPORTANT:** RESOLUTE readheads must be used with the correct size RESA30 ring. Ensure matching part numbers when ordering.

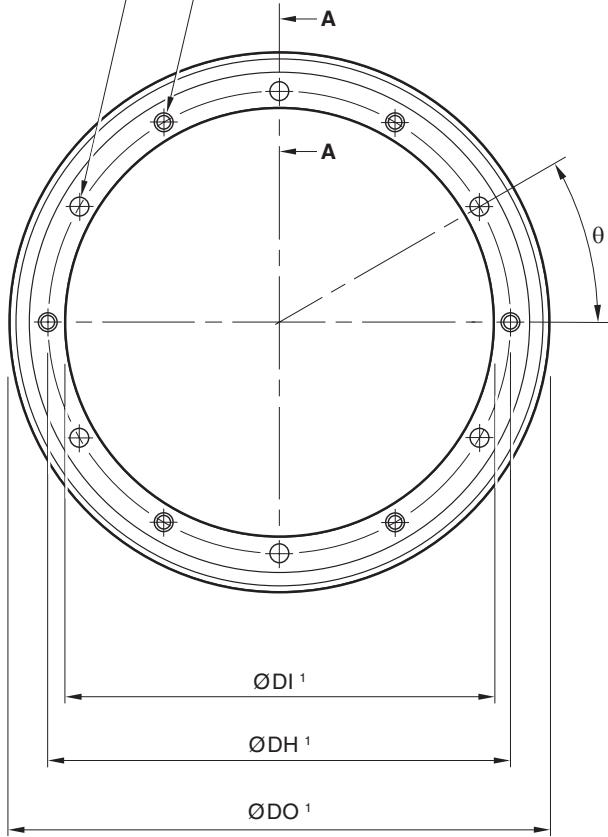
<sup>1</sup> There are no tapped holes on the 489 mm ring

# RESA30 'B' section ring installation drawing

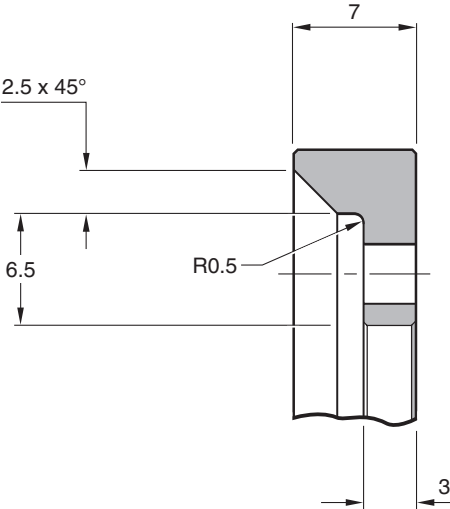
Dimensions and tolerances in mm

 N holes equally spaced on PCD ØDH Ø3.5 through

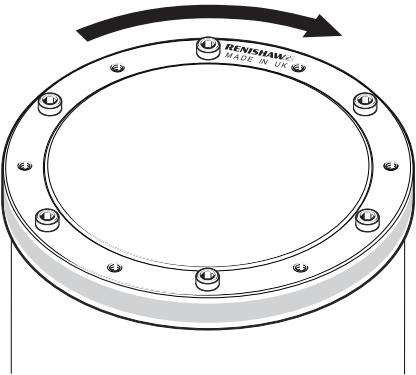
 N holes equally spaced on PCD ØDH M3 x 0.5 through



### Section A-A



Ring rotation to give increasing count



### NOTES:

- The scale zero position is radially aligned with the centre of the mounting hole to the left of the 'Renishaw' logo.
- $\theta$  is the angle between one tapped hole and the adjacent clearance hole. The angle between two clearance holes is  $2\theta$ .

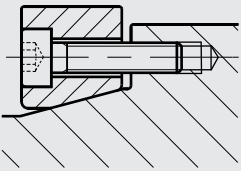
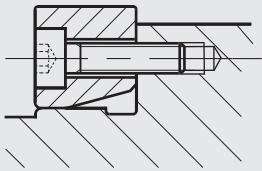
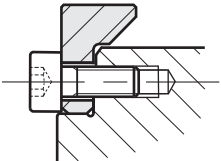
<sup>1</sup> The dimensions DO, DI and DH for the RESA 'B' section rings are listed on the following page.

## RESA30 'B' section ring dimensions

| Nominal external diameter (mm) | DO (mm)          | DI (mm)          | Mounting holes |    |     |
|--------------------------------|------------------|------------------|----------------|----|-----|
|                                |                  |                  | DH (mm)        | N  | θ   |
| 52                             | 52.20<br>52.10   | 32.04<br>32.00   | 38             | 6  | 30° |
| 57                             | 57.35<br>57.25   | 37.04<br>37.00   | 43             | 6  | 30° |
| 75                             | 75.40<br>75.30   | 55.04<br>55.00   | 61             | 6  | 30° |
| 100                            | 100.30<br>100.20 | 80.04<br>80.00   | 86             | 6  | 30° |
| 115                            | 114.70<br>114.50 | 95.04<br>95.00   | 101            | 6  | 30° |
| 150                            | 150.40<br>150.20 | 130.04<br>130.00 | 136            | 9  | 20° |
| 165                            | 165.10<br>164.90 | 145.04<br>145.00 | 151            | 9  | 20° |
| 200                            | 200.40<br>200.20 | 180.04<br>180.00 | 186            | 12 | 15° |

**IMPORTANT:** RESOLUTE readheads must be used with the correct size RESA30 ring. Ensure matching part numbers when ordering.

# RESA30 ring mounting options

|             | Taper mount  | Interference fit  |
|-------------|--|---|
| 'A' section |   |   |
| 'B' section | Not applicable   |   |
| Notes       | <p><b>Recommended for all installations</b></p> <ul style="list-style-type: none"> <li>• Enables simplest adjustment.</li> <li>• Offers highest accuracy.</li> <li>• Enables eccentricity to be compensated.</li> <li>• Offers excellent mechanical stability against thermal cycling, shock and vibration.</li> <li>• Minimises cost of substrate preparation.</li> </ul> | <p><b>Alternative installation</b></p> <ul style="list-style-type: none"> <li>• Will not correct eccentricity of the supporting shaft.</li> </ul> |

## Equipment required for taper mounting the RESA30 'A' section ring

### Required parts:

- Appropriate RESA 'A' section ring (see '[RESA30 'A' section ring dimensions](#)' on page 11)
- Appropriate number of screws for ring size (see '[RESA30 'A' section ring dimensions](#)' on page 11)

---

**NOTE:** Recommended screw type M3 × 0.5 and must comply with ISO 4762/DIN 912 grade 10.9 minimum/ANSI B18.3.1M with a CTE of 10 to 16 µm/m/°C @ 20 °C.

---

- Dial Test Indicator (DTI)
- Appropriate cleaning solvents (see '[Storage and handling](#)' on page 6)
- Hex key
- Torque wrench

### Optional parts:

- Renishaw scale wipes (A-9523-4040)
- Lint-free cloth

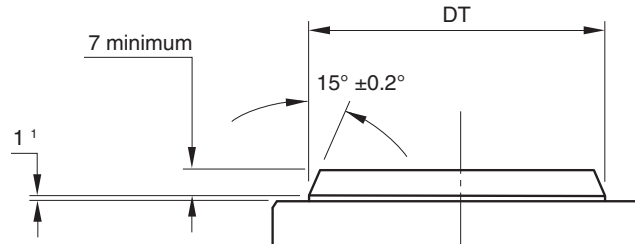
# RESA30 'A' section ring taper mounting

Dimensions and tolerances in mm

## Mounting shaft specifications

Recommended taper roundness:

| Diameter   | Roundness value (TIR) |
|------------|-----------------------|
| ≤ 115      | 0.025                 |
| 150 to 225 | 0.050                 |
| ≥ 300      | 0.075                 |



**IMPORTANT:** When using a RESOLUTE Extended Temperature Range variant (ETR) the hub should be made of a material with a CTE of between 14 and 18  $\mu\text{m}/\text{m}/^\circ\text{C}$ . For more information on mounting the ring when using ETR, contact your local Renishaw representative.

Recommended taper diameter (DT):

| DO  | DT             | DO  | DT               | DO  | DT               | DO  | DT               | DO  | DT               |
|-----|----------------|-----|------------------|-----|------------------|-----|------------------|-----|------------------|
| 52  | 33.85<br>33.65 | 103 | 83.85<br>83.65   | 172 | 155.85<br>155.65 | 229 | 212.85<br>212.65 | 350 | 333.85<br>333.65 |
| 57  | 40.85<br>40.65 | 104 | 83.85<br>83.65   | 183 | 166.85<br>166.65 | 255 | 238.85<br>238.65 | 413 | 395.85<br>395.65 |
| 75  | 58.85<br>58.65 | 115 | 98.85<br>98.65   | 200 | 183.85<br>183.65 | 280 | 263.85<br>263.65 | 417 | 383.85<br>383.65 |
| 100 | 83.85<br>83.65 | 124 | 107.85<br>107.65 | 206 | 189.85<br>189.65 | 300 | 283.85<br>283.65 | 489 | 454.85<br>454.65 |
| 101 | 83.85<br>83.65 | 150 | 133.85<br>133.65 | 209 | 189.85<br>189.65 | 330 | 313.85<br>313.65 | 550 | 513.85<br>513.65 |

DO = Nominal external diameter.

Recommended surface finish  $\leq Ra 1.2$ .

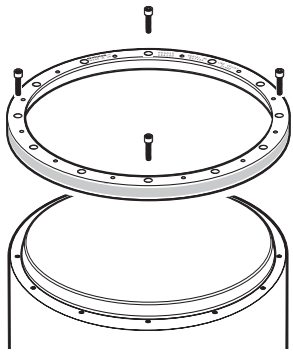
**NOTE:** It is recommended that the mounting surface is a turned, rather than ground finish.

<sup>1</sup> Allow 2 mm for 417 mm, 489 mm and 550 mm rings only.



- Remove the protective film from the surface of the RESA30 ring.
- Clean shaft taper and internal taper of RESA30 as recommended in 'Storage and handling' on page 6.

## Step 1



- Insert the first screws
  - For RESA30 rings with 6, 9 or 18 mounting holes, use 3 equally-spaced M3 screws.
  - For RESA30 rings with 12, 16 or 20 mounting holes, use 4 equally-spaced M3 screws.

---

**NOTES:** Do not lubricate screws.

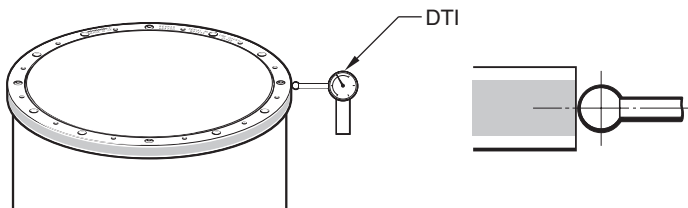
---

- Insert the screws so that the RESA30 is loosely connected to the shaft, then roughly align the ring by eye and touch.
- Lightly tighten the screws. Use a Dial Test Indicator (DTI) to check the radial displacement at the screw locations.

---

**NOTE:** Disregard the radial displacement between the screw locations.

---



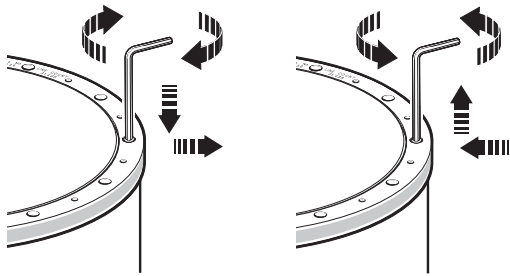
Use a DTI with low exertion force to avoid scratching the scale surface. A DTI with a ruby ball stylus is recommended as a further precaution against scratches.

- Adjust the screws to reduce the range of radial displacement. When adjusting, identify the screw location with the lowest radial displacement and tighten that screw, aiming for the average of the highest and lowest indicator readings.
- Repeat this process until the DTI readings are within  $\pm 5 \mu\text{m}$  at the screw locations.

---

**NOTE:** It may be necessary to loosen screws whilst tightening other screws.

---

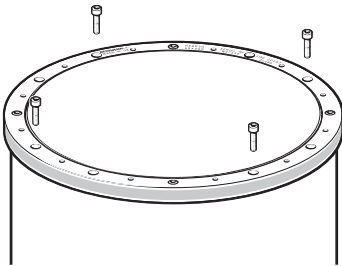



---

**NOTE:** At this stage, the screws should only be lightly tightened (less than 0.5 Nm) to allow further final adjustment.

---

## Step 2



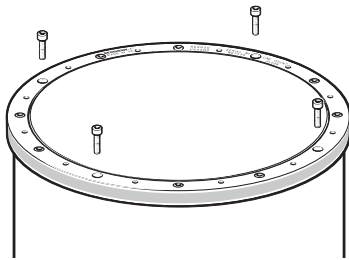
- Insert the next screws:
  - For RESA30 rings with 6, 9 or 12 mounting holes, insert all the remaining M3 screws.
  - For RESA30 rings with 16 mounting holes, insert 4 equally-spaced M3 screws.
  - For RESA30 rings with 18 mounting holes, insert 6 equally-spaced M3 screws.
  - For RESA30 rings with 20 mounting holes, insert 8 equally-spaced M3 screws (in four groups of two) between existing screws.
- As described in Step 1, adjust all the screws already inserted, so that the radial displacement at each screw location is within  $\pm 5 \mu\text{m}$ .
- Again, at this stage, the screws should only be lightly tightened (less than 0.5 Nm).

---

**NOTE:** You may notice that the torque required to achieve the radial displacement tolerance will be slightly higher during step 2 than during step 1. This is normal.

---

### Step 3



- Insert screws into the remaining mounting holes.

### Step 4

| Diameter (mm) | Recommended torque range (Nm) |
|---------------|-------------------------------|
| ≤ 115         | 1.5 - 2.1                     |
| 150 to 255    | 0.8 - 1.1                     |
| 300 to 413    | 0.5 - 0.7                     |
| ≥ 417         | 1.2 - 1.7                     |

- Rotate the RESA30 ring, measuring the radial displacement at all of the screw locations.
- Tighten the screw with the lowest radial displacement so that it matches the average radial displacement, whilst ensuring the maximum torque specified in the table is not exceeded.
- Again, rotate the RESA30 ring and re-check the radial displacement at all of the screw locations, tightening the screw with the lowest radial displacement so that it matches the average.
- Repeat this process until the radial displacement at all of the screw locations is within  $\pm 3 \mu\text{m}$  and that all screw torques are within the specified range.
- Excessive tightening of screws can have a small effect on accuracy. Contact your local Renishaw representative for more details.
- Clean ring using Renishaw scale cleaning wipes or a clean, dry, lint-free cloth.

# Equipment for interference fit mounting the RESA30 'A' section and RESA30 'B' section rings

## Required parts:

- Appropriate RESA 'A' or 'B' section ring (see 'RESA30 'A' section ring dimensions' on page 11 or 'RESA30 'B' section ring dimensions' on page 13)
- Appropriate number of screws for ring size (see 'RESA30 'A' section ring dimensions' on page 11 or 'RESA30 'B' section ring dimensions' on page 13)

---

**NOTE:** Recommended screw type M3 × 0.5 and must comply with ISO 4762/DIN 912 grade 10.9 minimum/ANSI B18.3.1M with a CTE of 10 to 16 µm/m/°C @ 20 °C.

---

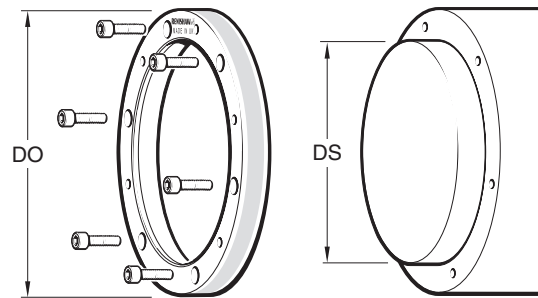
- Appropriate cleaning solvents (see 'Storage and handling' on page 6)
- Hex key
- Torque wrench

## Optional parts:

- Renishaw scale wipes (A-9523-4040)
- Lint-free cloth

## RESA30 'A' section and RESA30 'B' section ring interference fit mounting

- Remove the protective film from the surface of the RESA ring.
- Clean the mounting faces of the shaft and the RESA as recommended in 'Storage and handling' on page 6.
- Place RESA ring on shaft.



**IMPORTANT:** When using a RESOLUTE Extended Temperature Range variant (ETR) the hub should be made of a material with a CTE of between 14 and 18  $\mu\text{m}/\text{m}/^\circ\text{C}$ . For more information on mounting the ring when using ETR, contact your local Renishaw representative. Applies to RESA30 'A' section and 'B' section rings.

- Insert screws into all mounting holes.
- Tighten all screws.
- Clean ring using Renishaw scale cleaning wipes or a clean, dry, lint-free cloth.

### NOTES:

- Ensure that all screws are tightened to 1.6 Nm.
- The recommended thread engagement is 6 mm.
- 417, 489 and 550 mm rings should be taper mounted only.

<sup>1</sup> 52 mm 'B' section ring **DS (mm)** = 32.033  
32.017

<sup>2</sup> Only available as a 'B' section ring.

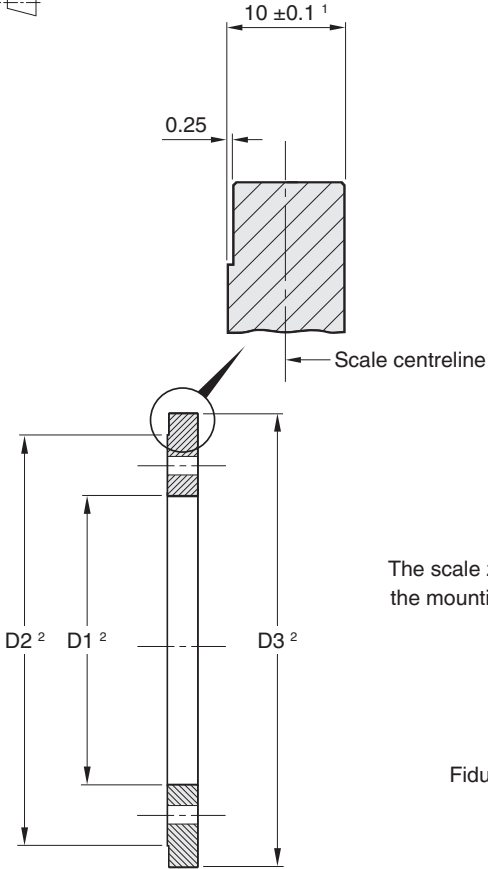
### Recommended shaft diameter (DS):

| DO (mm)          | DS (mm) | DO (mm) | DS (mm) |
|------------------|---------|---------|---------|
| 52 <sup>1</sup>  | 30.033  | 183     | 163.052 |
|                  | 30.017  |         | 163.027 |
| 57               | 37.033  | 200     | 180.052 |
|                  | 37.017  |         | 180.027 |
| 75               | 55.039  | 206     | 186.060 |
|                  | 55.020  |         | 186.031 |
| 100              | 80.045  | 209     | 186.060 |
|                  | 80.023  |         | 186.031 |
| 101              | 80.045  | 229     | 209.060 |
|                  | 80.023  |         | 209.031 |
| 103              | 80.045  | 255     | 235.060 |
|                  | 80.023  |         | 235.031 |
| 104              | 80.045  | 280     | 260.066 |
|                  | 80.023  |         | 260.034 |
| 115              | 95.045  | 300     | 280.066 |
|                  | 95.023  |         | 280.034 |
| 124              | 104.045 | 330     | 310.066 |
|                  | 104.023 |         | 310.034 |
| 150              | 130.052 | 350     | 330.073 |
|                  | 130.027 |         | 330.037 |
| 165 <sup>2</sup> | 145.052 | 413     | 392.073 |
|                  | 145.027 |         | 392.037 |
| 172              | 152.052 |         |         |
|                  | 152.027 |         |         |

DO = Nominal external diameter

# REXA30 ring installation drawing

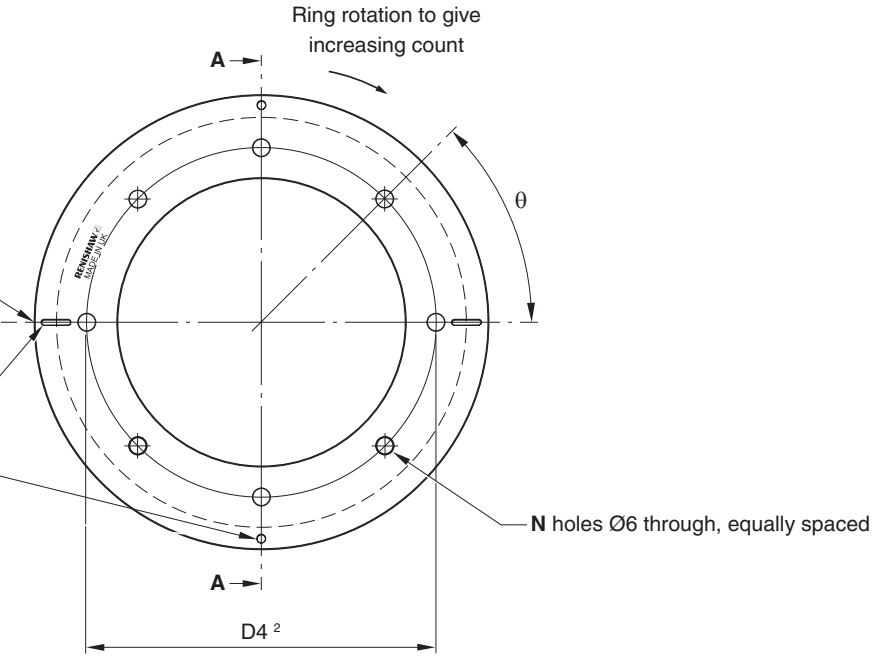
Dimensions and tolerances in mm



Section A-A

The scale zero is radially aligned with the centre of the mounting hole to the left of the 'Renishaw' logo

Fiducial marks, 4 positions, to aid installation



<sup>1</sup> Graduations are centered within this dimension.  
<sup>2</sup> The dimensions D1, D2, D3 and D4 for the REXA30 rings are listed on the following page.

## REXA30 ring dimensions

| Nominal external diameter | Dimensions |       |               | Mounting holes |    |       |
|---------------------------|------------|-------|---------------|----------------|----|-------|
|                           | D1         | D2    | D3            | D4             | N  | θ     |
| 52 <sup>1</sup>           | 26         | 50    | 52.1 - 52.2   | 38             | 4  | 90°   |
| 57 <sup>1</sup>           | 26         | 50    | 57.25 - 57.35 | 38             | 4  | 90°   |
| 75                        | 40.5       | 64.5  | 75.3 - 75.4   | 52.5           | 8  | 45°   |
| 100                       | 57.5       | 97.5  | 100.2 - 100.3 | 77.5           | 8  | 45°   |
| 103                       | 57.5       | 97.5  | 103.0 - 103.2 | 77.5           | 8  | 45°   |
| 104                       | 57.5       | 97.5  | 104.2 - 104.4 | 77.5           | 8  | 45°   |
| 115                       | 68         | 108   | 114.5 - 114.7 | 88             | 8  | 45°   |
| 150                       | 96         | 136   | 150.2 - 150.4 | 116            | 8  | 45°   |
| 183                       | 122.5      | 162.5 | 183.2 - 183.4 | 142.5          | 12 | 30°   |
| 200                       | 136        | 176   | 200.2 - 200.4 | 156            | 12 | 30°   |
| 206                       | 140.5      | 180.5 | 206.1 - 206.5 | 160.5          | 12 | 30°   |
| 209                       | 140.5      | 180.5 | 208.4 - 208.8 | 160.5          | 12 | 30°   |
| 229                       | 160.5      | 200.5 | 229.0 - 229.4 | 180.5          | 12 | 30°   |
| 255                       | 180.5      | 220.5 | 254.4 - 254.8 | 200.5          | 12 | 30°   |
| 300                       | 216        | 256   | 300.2 - 300.4 | 236            | 12 | 30°   |
| 350                       | 256        | 296   | 350.2 - 350.4 | 276            | 16 | 22.5° |
| 417                       | 305        | 345   | 417.0 - 417.4 | 325            | 16 | 22.5° |

**IMPORTANT:** RESOLUTE readheads must be used with the correct size REXA30 ring. Ensure matching part numbers when ordering.

<sup>1</sup> 52 mm and 57 mm rings have dimple fiducial features and no slots.

## Equipment for flange mounting the REXA30 ring

### Required parts:

- Appropriate REXA ring (see 'REXA30 ring dimensions' on page 23)
- Appropriate number of screws for ring size (see 'REXA30 ring dimensions' on page 23)

---

**NOTE:** Recommended screw type M5 × 0.8 and must comply with ISO 4762 / DIN 912 grade 10.9 minimum / ANSI B18.3.1M with a CTE of 10 to 16  $\mu\text{m}/\text{m}/^\circ\text{C}$  @ 20 °C.

---

- Dial Test Indicator (DTI)
- Rubber mallet
- Appropriate cleaning solvents (see 'Storage and handling' on page 6)
- Hex key
- Torque wrench

### Optional parts:

- Renishaw scale wipes (A-9523-4040)
- Lint-free cloth



## REXA30 ring flange mounting

- The REXA30 ring should be flange mounted onto a flat surface to minimise 2-per-rev distortion.
- Taper mounting is not suitable for thick cross-section REXA rings.
- To avoid distorting to the scale, the REXA should not be interference fitted.
- Some eccentricity of the ring is acceptable because it will be compensated using two readheads.

**NOTE:** If using REXA30 with RESOLUTE ETR, contact your local Renishaw representative.

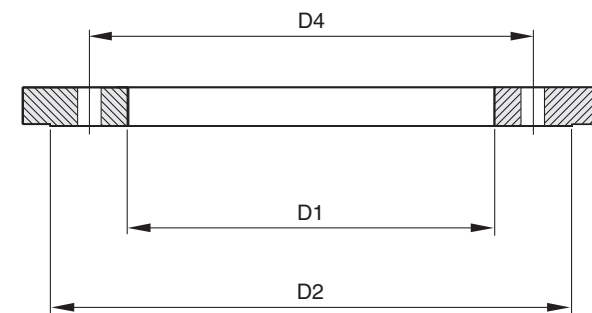
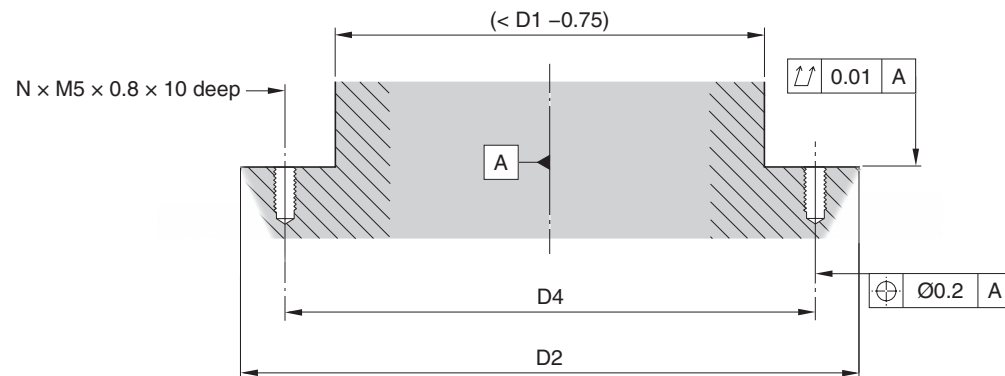
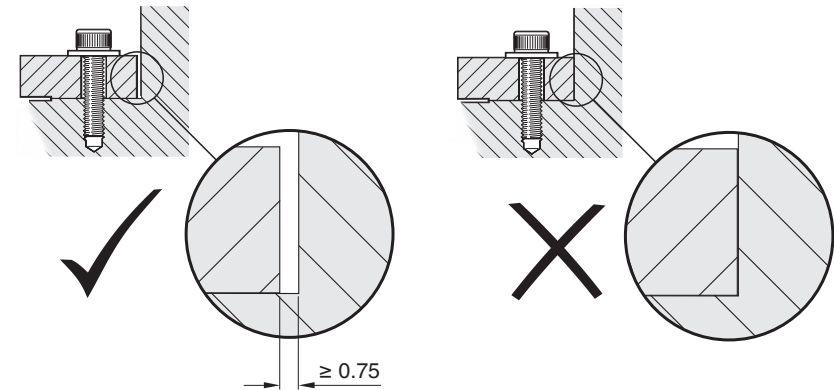
## Mounting shaft preparation

There is a mounting face on the lower side of the REXA30 ring (diameter D2).

A flat surface should be prepared on the mounting shaft to match.

The total axial run-out of the mounting surface should be within 10 µm.

Dimensions and tolerances in mm



For dimensions D1, D2, D4 and number of holes N, refer to 'REXA30 ring dimensions' on page 23.

## Mounting the REXA30 ring

- Clean the mounting face on the lower side of the REXA (see 'Storage and handling' on page 6).
- Clean the mating surface on the mounting shaft (see 'Storage and handling' on page 6).
- Place the REXA onto the mounting shaft, then insert four off M5 screws with flat washers into the four screw holes by the fiducial marks.

---

**IMPORTANT:** Do not tighten the screws at this point; simply engage the threads ensuring that the heads do not touch the ring.

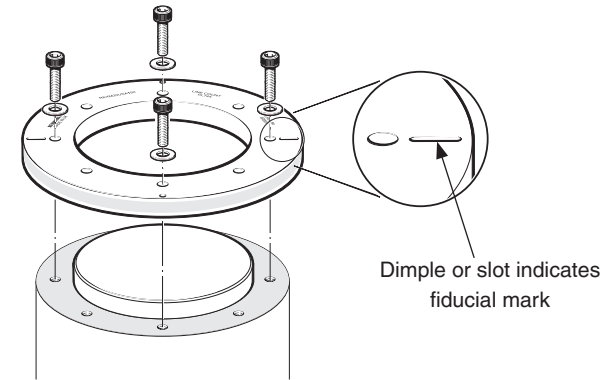
---

- The recommended thread engagement is 10 mm.

---

### NOTES:

- Do not lubricate screws.
  - Do not use a locking compound.
- 



## Adjusting the REXA30 ring

### Step 1

- Remove the protective film from the surface of the REXA.
- Measure the run-out on the REXA ring using a Dial Test Indicator (DTI) to. Use a DTI with low exertion force to avoid scratching the scale surface. A DTI with a ruby ball stylus is recommended as a further precaution against scratches.

---

**NOTE:** At this stage the ring is not firmly fixed, so to avoid causing the ring to shift position, rotate the ring slowly and smoothly.

---

- Where the DTI shows the lowest radius reading, gently tap the opposite side of the ring on the edge using a rubber mallet, until the DTI reading is approximately at the 'mid-point' of the run-out.
- Find the new lowest radius reading.
- Tap the opposite side of the ring with a rubber mallet until the DTI reading is at the 'mid-point' of the run-out.
- Repeat this process until the run-out of the ring is approximately 30 µm TIR (0.0012 inches).

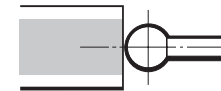
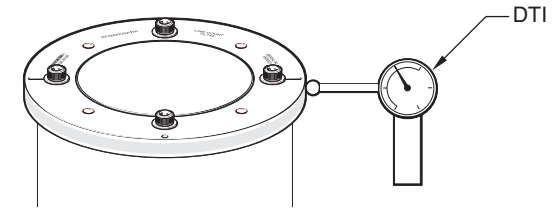
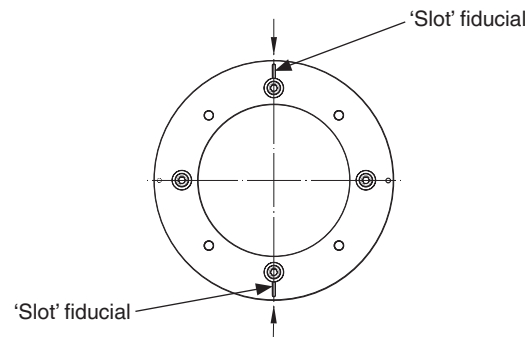
### Step 2

- Adjust ring position until the DTI (dial test indicator) reading at these points agrees to 10 µm TIR.

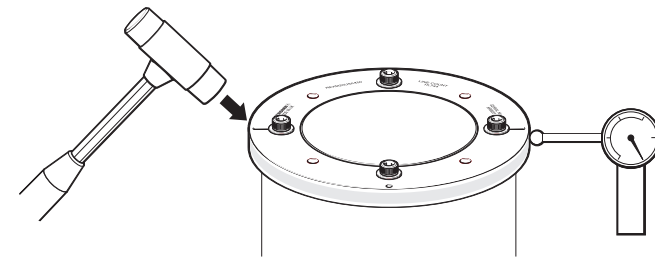
---

**NOTE:** 52 mm and 57 mm rings do not have 'slot' fiducials marked.

---

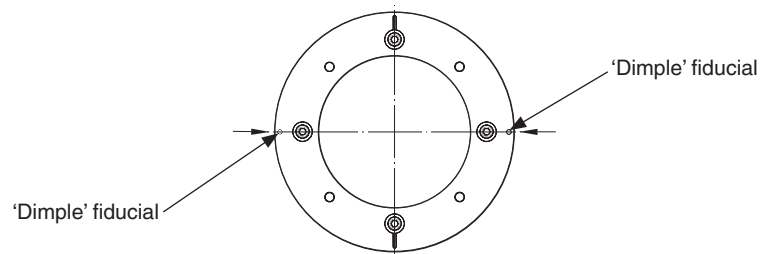


Use a DTI with low exertion force to avoid scratching the scale surface. A DTI with a ruby ball stylus is recommended as a further precaution against scratches.



### Step 3

- Rotate the ring by 90°.
- Adjust the ring position until the DTI (dial test indicator) reading at these points agrees to 10 µm TIR.



### Step 4

- Re-check the run-out at the two 'slot' fiducial points, to ensure the run-out is still within 10 µm TIR. Adjust if necessary.
- Gradually tighten the 4 screws in turn, enough to grip and lightly secure the ring so as to avoid moving the position of the ring.
- Insert the remaining M5 screws and, in a sequential pattern, gradually tighten them to a torque of 4 Nm.
- Re-check the run-out at the two 'slot' fiducial points, then at the two 'dimple' fiducial points.

---

**NOTE:** The run-out values at the 'slot' fiducial points do not have to match the run-out values at the 'dimple' fiducial points.

---

- If the ring has moved position outside the 10 µm limit, the screws must be loosened and the ring adjusted.
- Clean ring using Renishaw scale cleaning wipes or a clean, dry, lint-free cloth.

## Siemens DRIVE-CLiQ dual head installation

### Accuracy

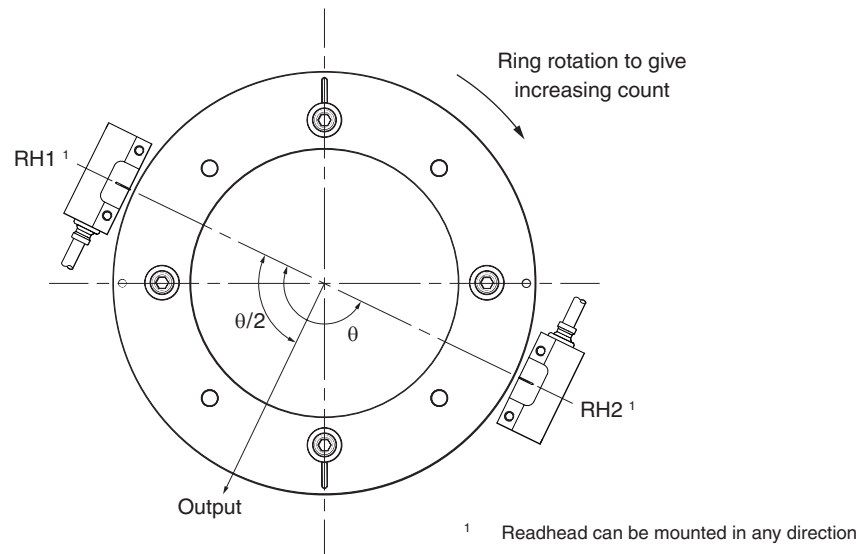
The dual head interface is designed for use with two RESOLUTE readheads and REXA30 ring only and compensates for the effect of bearing wander and eliminates all odd error harmonics including eccentricity. However, ‘even’ error harmonics such as ovality remain. This results in high angular accuracy to  $\pm 1$  arc second, as shown in the accompanying table.

| REXA30 diameter | Total installed accuracy (with 2 readheads) |
|-----------------|---|
| $\geq 100$ mm   | $\pm 1$ arc second                          |
| 75 mm           | $\pm 1.5$ arc second                        |
| $\leq 57$ mm    | $\pm 2$ arc second                          |

For optimum accuracy performance, the readheads should be diametrically opposite each other so that the optical centre lines are  $180^\circ$  apart. However if this is not possible due to mounting constrictions, or for partial arc applications, the readheads should be mounted as close to this as possible; contact your local Renishaw representative to find out what accuracy you can expect if this is the case.

### Interface output

For readheads (RH1 and RH2) mounted such that the angle between them is  $\theta$ .



The dual head DRIVE-CLiQ interface takes simultaneous readings from both readheads and calculates the mean of them. The output is therefore at an angle of  $\theta/2$  and is in the position shown when the scale is orientated with increasing count as shown.

### Summary of procedure

Install both readheads on mounting surfaces.



Connect both readheads to dual head interface and connect interface to controller.



Supply power to the controller and interface, adjust each readhead such that both readheads have good signal levels around the ring (green or blue indication).



Acknowledge any errors on the controller that may have occurred during installation.

# RESOLUTE readhead mounting and alignment

## Mounting brackets

The bracket must have a flat mounting surface and should provide adjustment to enable conformance to the installation tolerances, allow adjustment to the rideheight of the readhead, and be sufficiently stiff to prevent deflection or vibration of the readhead during operation.

## Readhead set-up

Ensure that the ring, readhead optical window and mounting face are clean and free from obstructions.

**NOTE:** When cleaning the readhead and ring apply cleaning fluid sparingly, do not soak.

To set nominal rideheight, place the blue spacer with the aperture under the optical centre of the readhead to allow normal LED function during set-up procedure. Adjust the readhead to maximize the signal strength to achieve a green or blue LED for a full rotation of the ring.

### NOTES:

- Flashing of set-up LED indicates scale reading error. The flashing state is latched for some serial protocols; remove power to reset.
- The optional Advanced Diagnostic Tool ADTa-100<sup>1</sup> (A-6525-0100) and ADT View software<sup>2</sup> can be used to aid installation. The ADTa-100 and ADT View software are only compatible with RESOLUTE readheads showing the **ADT** mark. Contact your local Renishaw representative for other readhead compatibility.

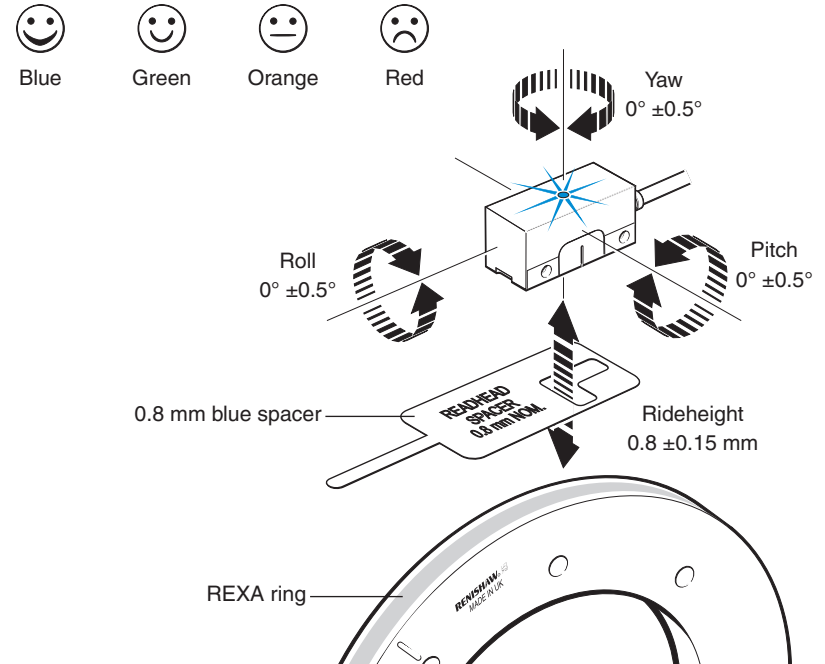
<sup>1</sup> For more details refer to the Advanced Diagnostic Tools and ADT View software User guide (Renishaw part no. M-6195-9413).

<sup>2</sup> The software can be downloaded for free from [www.renishaw.com/adt](http://www.renishaw.com/adt).

<sup>3</sup> The LED is activated regardless of whether the corresponding messages have been reconfigured.

<sup>4</sup> The colour depends upon the LED status when component recognition is activated via p0144=1.

## RESOLUTE readhead and DRIVE-CLiQ interface status LEDs



## DRIVE-CLiQ interface RDY LED functions

| Colour                     | Status           | Description  |
|----------------------------|------------------|--|
| -                          | Off              | Power supply is missing or outside of permissible tolerance range                        |
| Green                      | Continuous light | The component is ready for operation and cyclic DRIVE-CLiQ communication is taking place |
| Orange                     | Continuous light | DRIVE-CLiQ communication is being established  |
| Red                        | Continuous light | At least one fault is present in this component <sup>3</sup>                             |
| Green/orange or red/orange | Flashing light   | Component recognition via LED is activated (p0144) <sup>4</sup>                          |

## RESOLUTE readhead signals

### BiSS C serial interface

| Function              | Signal <sup>1</sup> | Wire colour | Pin              |          |         |                |          |
|-----------------------|---------------------|-------------|------------------|----------|---------|----------------|----------|
|                       |                     |             | 9-way D-type (A) | LEMO (L) | M12 (S) | 13-way JST (F) |          |
| Power                 | 5 V                 | Brown       | 4, 5             | 11       | 2       | 9              |          |
|                       | 0 V                 | White       | 8, 9             | 8, 12    | 5, 8    | 5, 7           |          |
|                       |                     | Green       |                  |          |         |                |          |
| Serial communications | MA+                 | Violet      | 2                | 2        | 3       | 11             |          |
|                       | MA-                 | Yellow      | 3                | 1        | 4       | 13             |          |
|                       | SLO+                | Grey        | 6                | 3        | 7       | 1              |          |
|                       | SLO-                | Pink        | 7                | 4        | 6       | 3              |          |
| Shield                | Single              | Shield      | Shield           | Case     | Case    | Case           | External |
|                       | Double              | Inner       | Inner shield     | 1        | 10      | 1              | External |
|                       |                     | Outer       | Outer shield     | Case     | Case    | Case           | External |

<sup>1</sup> For details, refer to *BiSS C-mode (unidirectional) for RESOLUTE encoders* data sheet (Renishaw part no. L-9709-9005).

**NOTE:** For RESOLUTE BiSS UHV readheads only 13-way JST (F) option is available.

### FANUC serial interface

| Function              | Signal | Wire colour | Pin              |          |            |                |          |
|-----------------------|--------|-------------|------------------|----------|------------|----------------|----------|
|                       |        |             | 9-way D-type (A) | LEMO (L) | 20-way (H) | 13-way JST (F) |          |
| Power                 | 5 V    | Brown       | 4, 5             | 11       | 9, 20      | 9              |          |
|                       | 0 V    | White       | 8, 9             | 8, 12    | 12, 14     | 5, 7           |          |
|                       |        | Green       |                  |          |            |                |          |
| Serial communications | REQ    | Violet      | 2                | 2        | 5          | 11             |          |
|                       | *REQ   | Yellow      | 3                | 1        | 6          | 13             |          |
|                       | SD     | Grey        | 6                | 3        | 1          | 1              |          |
|                       | *SD    | Pink        | 7                | 4        | 2          | 3              |          |
| Shield                | Single | Shield      | Shield           | Case     | Case       | External, 16   | External |
|                       | Double | Inner       | Inner shield     | 1        | 10         | 16             | External |
|                       |        | Outer       | Outer shield     | Case     | Case       | External       | External |

## Mitsubishi serial interface

| Function              | Signal           | Wire colour | Pin              |                       |                   |          |                |          |
|-----------------------|------------------|-------------|------------------|-----------------------|-------------------|----------|----------------|----------|
|                       |                  |             | 9-way D-type (A) | 10-way Mitsubishi (P) | 15-way D-type (N) | LEMO (L) | 13-way JST (F) |          |
| Power                 | 5 V              | Brown       | 4, 5             | 1                     | 7, 8              | 11       | 9              |          |
|                       | 0 V              | White       | 8, 9             | 2                     | 2, 9              | 8, 12    | 5, 7           |          |
|                       |                  | Green       |                  |                       |                   |          |                |          |
| Serial communications | MR               | Violet      | 2                | 3                     | 10                | 2        | 11             |          |
|                       | MRR              | Yellow      | 3                | 4                     | 1                 | 1        | 13             |          |
|                       | MD <sup>1</sup>  | Grey        | 6                | 7                     | 11                | 3        | 1              |          |
|                       | MDR <sup>1</sup> | Pink        | 7                | 8                     | 3                 | 4        | 3              |          |
| Shield                | Single           | Shield      | Case             | Case                  | Case              | Case     | External       |          |
|                       | Double           | Inner       | Inner shield     | 1                     | Not applicable    | 15       | 10             | External |
|                       |                  | Outer       | Outer shield     |                       |                   | Case     | Case           | External |

<sup>1</sup> For 2 wire RESOLUTE Mitsubishi readheads do not connect MD and MDR.

## Panasonic/Omron serial interface

| Function              | Signal         | Wire colour | Pin              |          |         |                |          |
|-----------------------|----------------|-------------|------------------|----------|---------|----------------|----------|
|                       |                |             | 9-way D-type (A) | LEMO (L) | M12 (S) | 13-way JST (F) |          |
| Power                 | 5 V            | Brown       | 4, 5             | 11       | 2       | 9              |          |
|                       | 0 V            | White       | 8, 9             | 8, 12    | 5, 8    | 5, 7           |          |
|                       |                | Green       |                  |          |         |                |          |
| Serial communications | PS             | Violet      | 2                | 2        | 3       | 11             |          |
|                       | $\bar{P}S$     | Yellow      | 3                | 1        | 4       | 13             |          |
| Shield                | Single         | Shield      | Case             | Case     | Case    | External       |          |
|                       | Double         | Inner       | Inner shield     | 1        | 10      | 1              | External |
|                       |                | Outer       | Outer shield     | Case     | Case    | Case           | External |
| Reserved              | Do not connect | Grey        | 6                | 3        | 7       | 1              |          |
|                       |                | Pink        | 7                | 4        | 6       | 3              |          |

**NOTE:** For RESOLUTE Panasonic UHV readheads only 13-way JST (F) option is available.



## Siemens DRIVE-CLiQ serial interface

### DRIVE-CLiQ readhead output

| Function              | Signal         | Wire colour | Pin          |                |          |
|-----------------------|----------------|-------------|--------------|----------------|----------|
|                       |                |             | M12 (S)      | 13-way JST (F) |          |
| Power                 | 5 V            | Brown       | 2            | 9              |          |
|                       | 0 V            | White       | 5, 8         | 5, 7           |          |
|                       |                | Green       |              |                |          |
| Serial communications | A+             | Violet      | 3            | 11             |          |
|                       | A-             | Yellow      | 4            | 13             |          |
| Shield                | Single         | Shield      | Case         | External       |          |
|                       | Double         | Inner       | Inner shield | 1              | External |
|                       |                | Outer       | Outer shield | Case           | External |
| Reserved              | Do not connect | Grey        | 7            | 1              |          |
|                       |                | Pink        | 6            | 3              |          |

### DRIVE-CLiQ interface output

| Function                  | Signal | Pin M12 |
|---------------------------|--------|---------|
| Power                     | 24 V   | 1       |
|                           | 0 V    | 5       |
| DRIVE-CLiQ communications | RX+    | 3       |
|                           | RX-    | 4       |
|                           | TX+    | 7       |
|                           | TX-    | 6       |
| Shield                    | Shield | Case    |

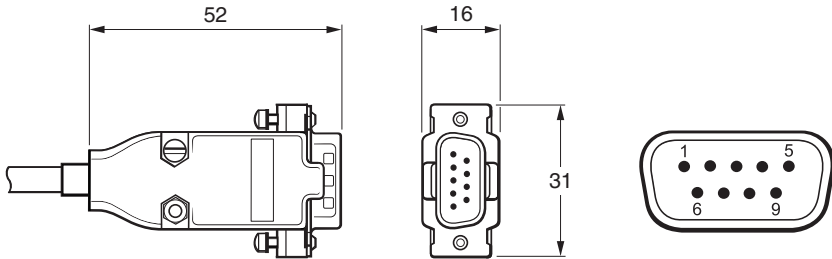
## Yaskawa serial interface

| Function              | Signal         | Wire colour | Pin              |          |         |                |
|-----------------------|----------------|-------------|------------------|----------|---------|----------------|
|                       |                |             | 9-way D-type (A) | LEMO (L) | M12 (S) | 13-way JST (F) |
| Power                 | 5 V            | Brown       | 4, 5             | 11       | 2       | 9              |
|                       | 0 V            | White       | 8, 9             | 8, 12    | 5, 8    | 5, 7           |
|                       |                | Green       |                  |          |         |                |
| Serial communications | S              | Violet      | 2                | 2        | 3       | 11             |
|                       | $\bar{S}$      | Yellow      | 3                | 1        | 4       | 13             |
| Shield                | Shield         | Shield      | Case             | Case     | Case    | External       |
| Reserved              | Do not connect | Grey        | 6                | 3        | 7       | 1              |
|                       |                | Pink        | 7                | 4        | 6       | 3              |

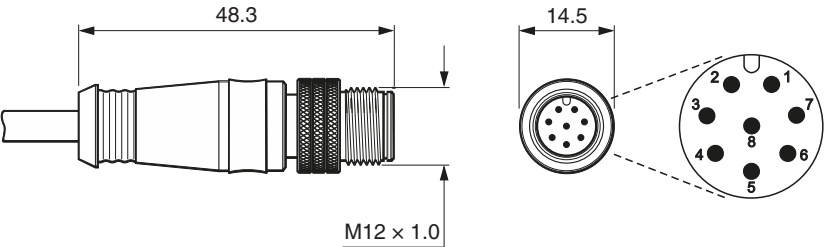
# RESOLUTE readhead termination options

## 9-way D-type connector (Termination code A)

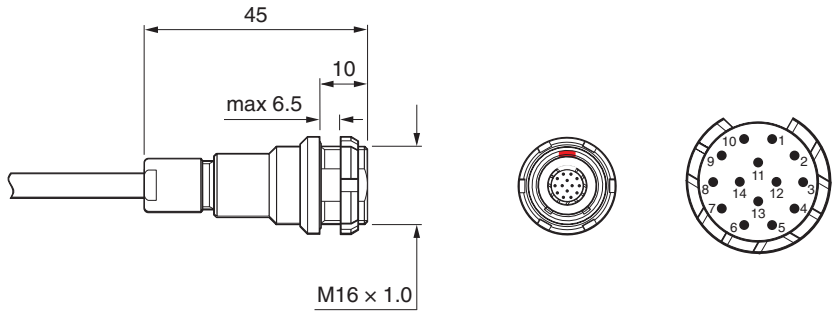
Plugs directly into the optional Advanced Diagnostic Tool ADTa-100 <sup>1</sup>  
 (ADT compatible readheads only)



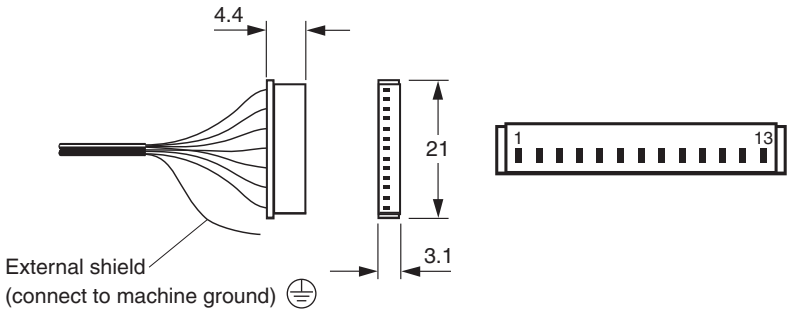
## M12 (sealed) connector (Termination code S)



## LEMO in-line connector (Termination code L)



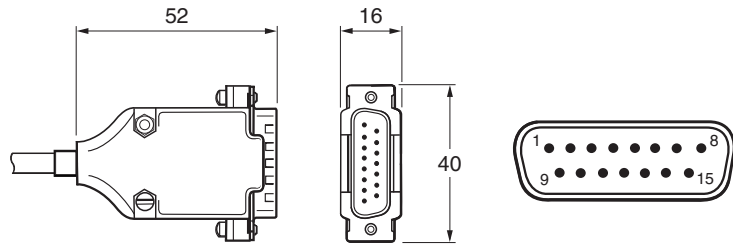
## 13-way flying lead <sup>2</sup> (Termination code F) (single-shielded cable shown)



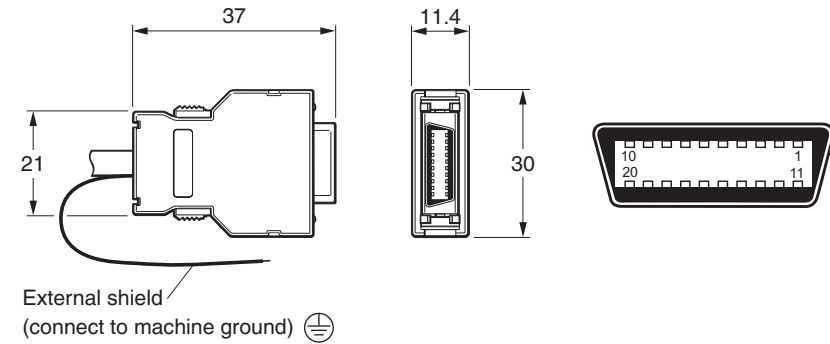
<sup>1</sup> For more details refer to the *Advanced Diagnostic Tools and ADT View software User guide* (Renishaw part no. M-6195-9413)

<sup>2</sup> JST part number: 13ZR-3H-P

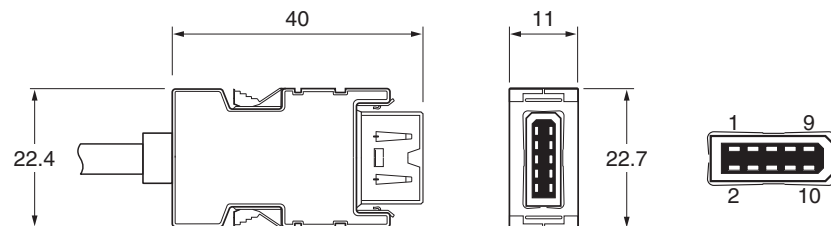
**15-way D-type Mitsubishi connector  
 (Termination code N)**



**20-way FANUC connector (Termination code H)**

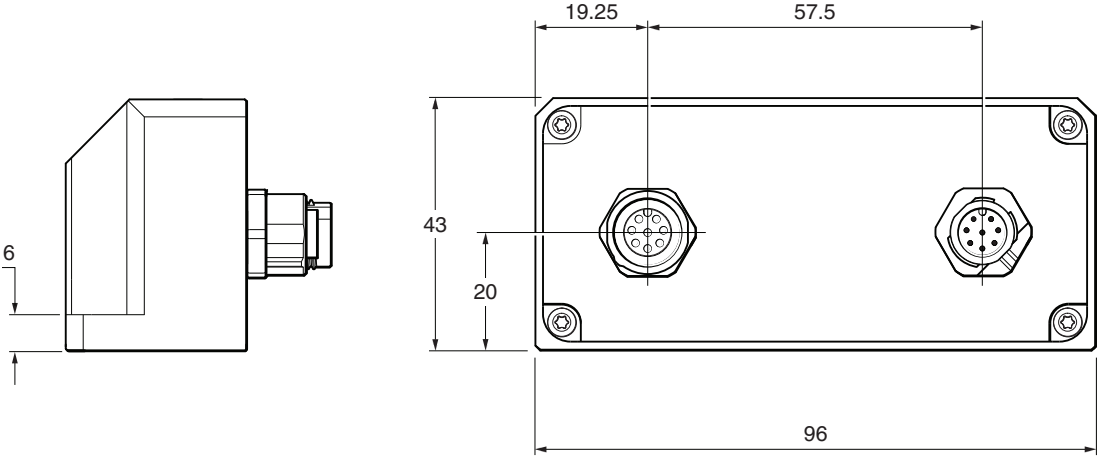
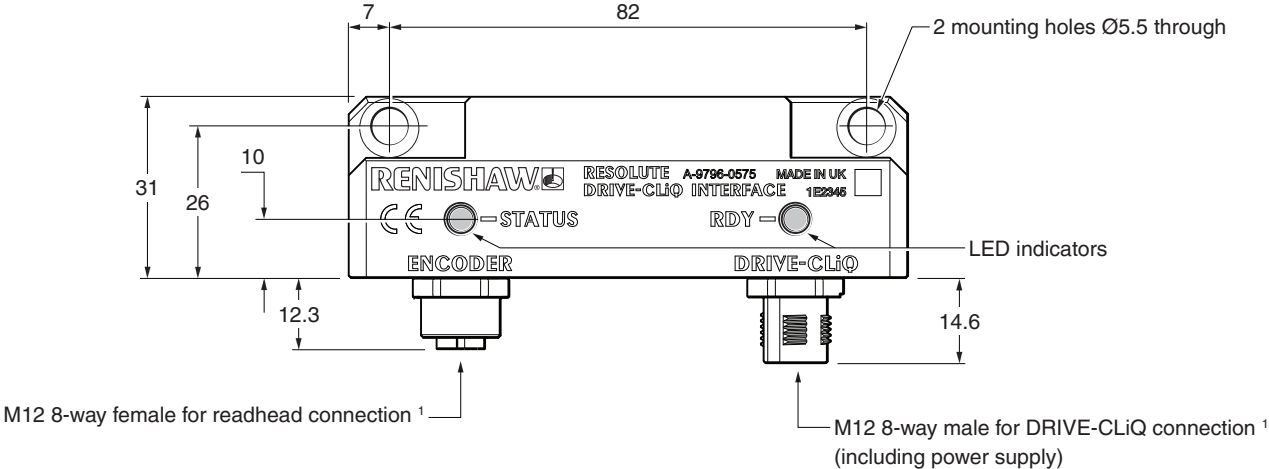


**10-way Mitsubishi connector (Termination code P)**



# Siemens DRIVE-CLiQ interface drawing – single readhead input

Dimensions and tolerances in mm

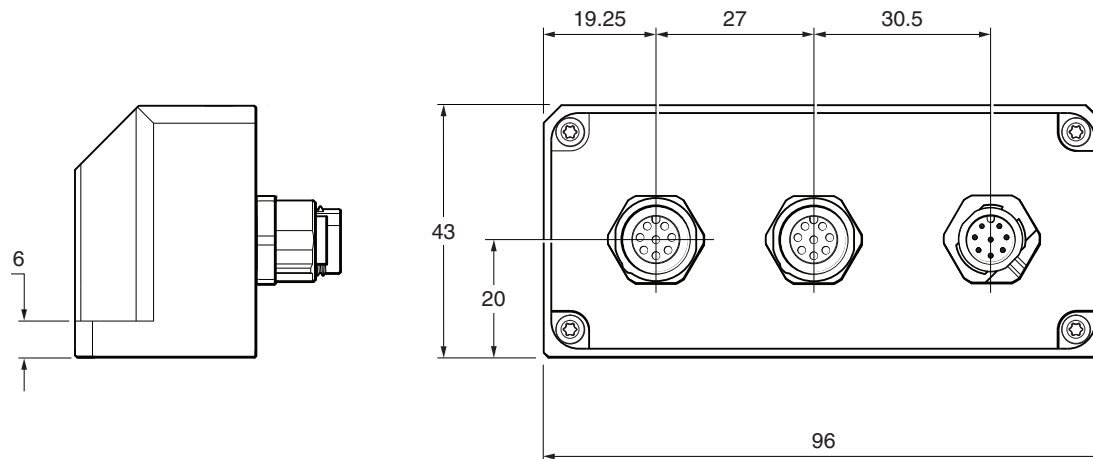
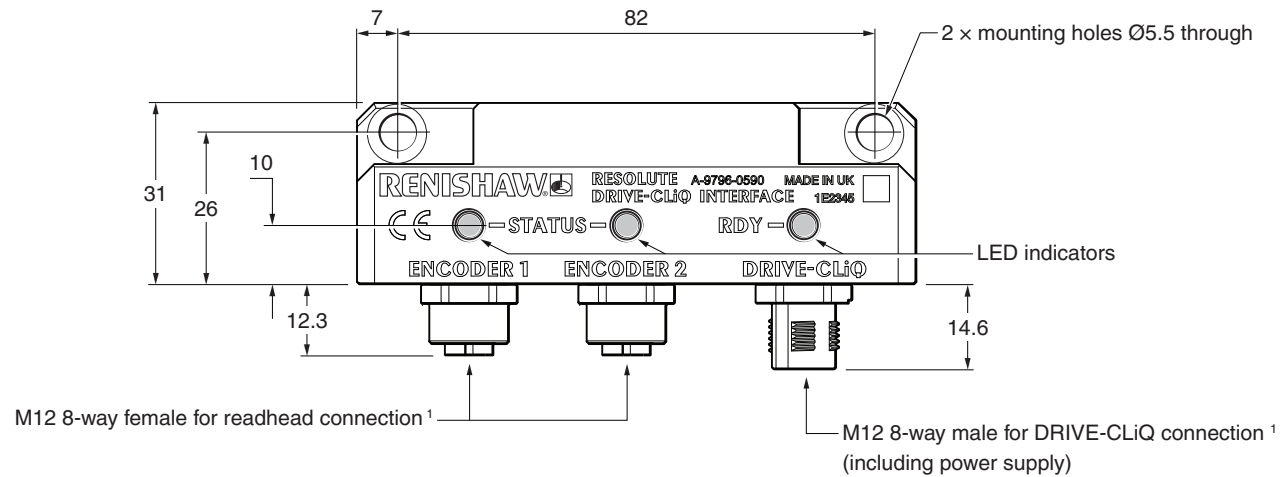


| Interface part number | Compatible readheads |
|-----------------------|----------------------|
| A-9777-0575           | RAxxDA               |
|                       | RAxxDS               |
| A-9796-0575           | RAxxDB               |
|                       | RAxxDR               |

<sup>1</sup> Maximum tightening torque 4 Nm.

## Siemens DRIVE-CLiQ interface drawing – dual readhead input

Dimensions and tolerances in mm



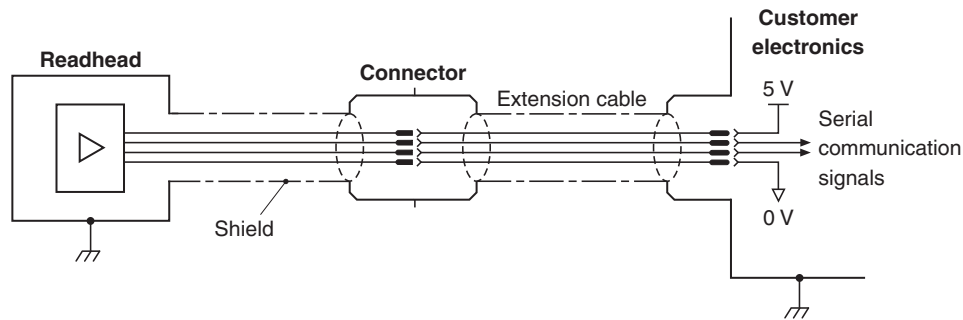
| Interface part number | Compatible readheads |
|-----------------------|----------------------|
| A-9777-0590           | RAxxDA               |
|                       | RAxxDS               |
| A-9796-0590           | RAxxDB               |
|                       | RAxxDR               |

<sup>1</sup> Maximum tightening torque 4 Nm.

# Electrical connections

## Grounding and shielding <sup>1</sup> – single readhead systems

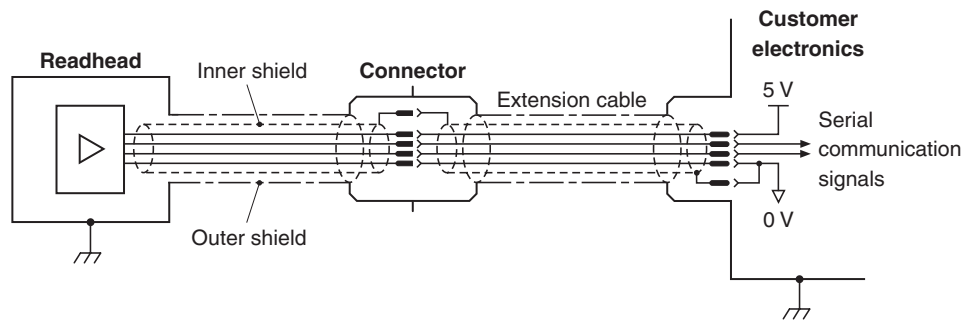
### Single-shielded cable <sup>2</sup>



#### IMPORTANT:

- The shield should be connected to the machine earth (Field ground).
- If the connector is modified or replaced, the customer must ensure both 0 V cores (white and green) are connected to 0 V.

### Double-shielded cable <sup>2</sup>



#### IMPORTANT:

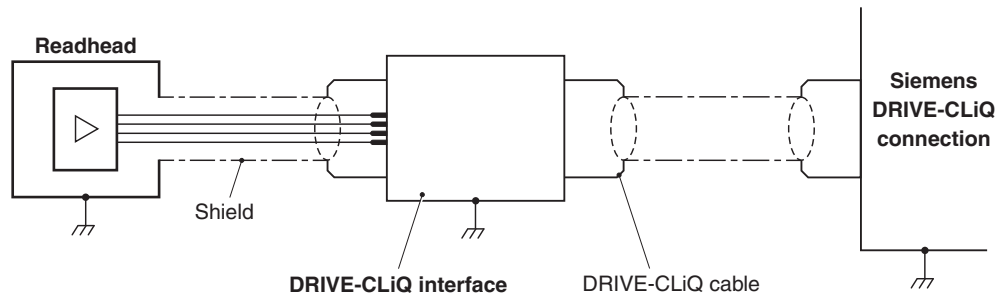
- The outer shield should be connected to the machine earth (Field ground). The inner shield should be connected to 0 V at customer electronics only. Care should be taken to ensure that the inner and outer shields are insulated from each other.
- If the connector is modified or replaced, the customer must ensure both 0 V cores (white and green) are connected to 0 V.

<sup>1</sup> RESOLUTE BiSS, FANUC, Mitsubishi, Panasonic/Omron, and Yaskawa readheads only. For Grounding and Shielding arrangements for RESOLUTE Siemens DRIVE-CLiQ systems, refer to page 39 and page 40.

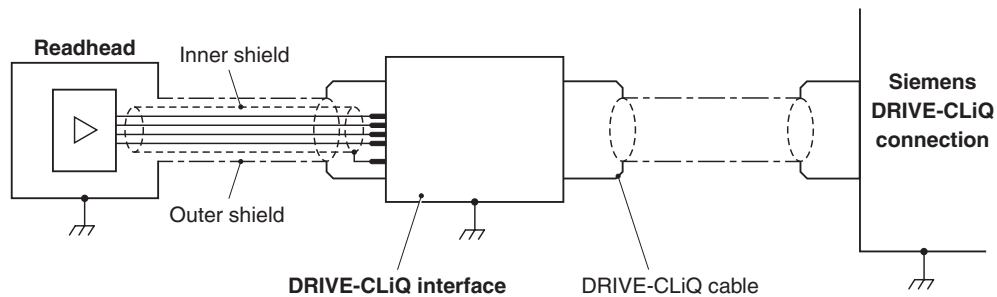
<sup>2</sup> RESOLUTE Yaskawa readheads are single-shielded cable only.

## Grounding and shielding – single readhead systems (RESOLUTE Siemens DRIVE-CLiQ systems only)

### Single-shielded cable



### Double-shielded cable



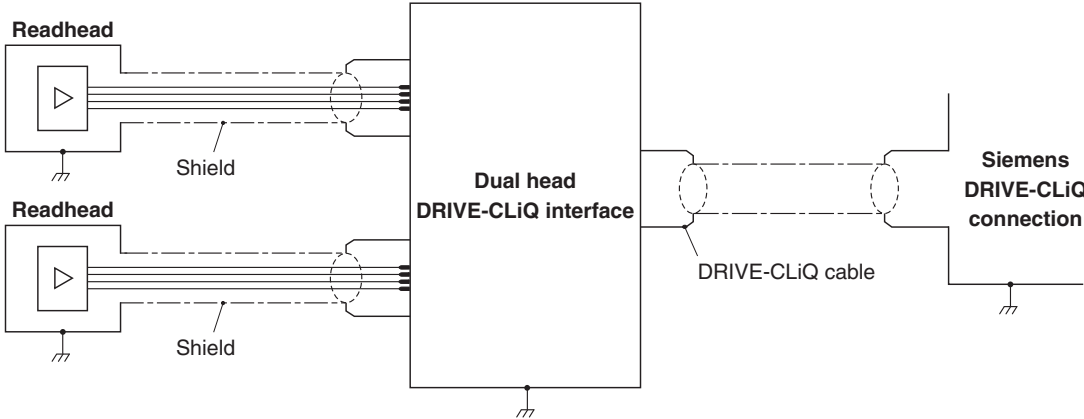
**IMPORTANT:** If reterminating double-shielded readhead cable, care should be taken to ensure that the inner and outer shields are insulated from each other. If the inner and outer shields are connected together, this will cause a short between 0 V and earth, which could cause electrical noise issues.

# Grounding and shielding – dual readhead systems (RESOLUTE Siemens DRIVE-CLiQ systems only)

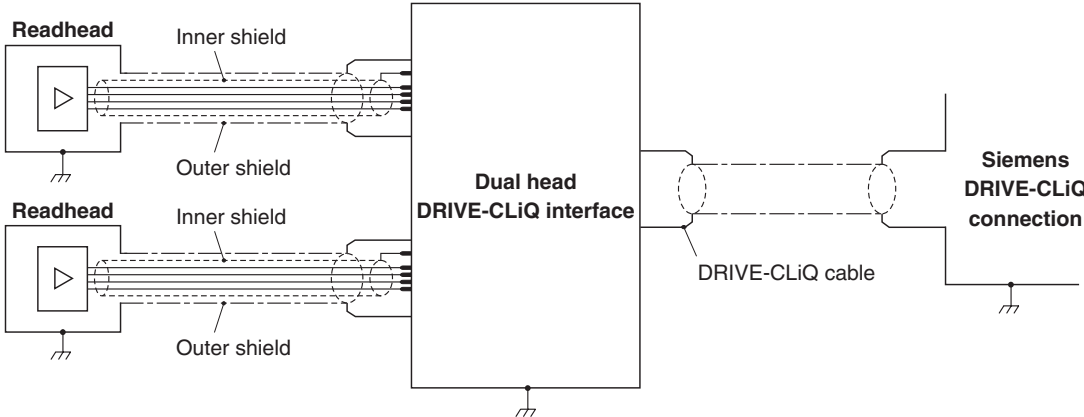
For high-speed applications, it is recommended to use similar cable lengths for each readhead to ensure the readings are simultaneous and achieve the highest accuracy.

The DRIVE-CLiQ cable is a proprietary part and is not supplied by Renishaw plc.

## Single-shielded cables




## Double-shielded cables





## General specifications

|  |                               |  |
|--|-------------------------------|--|
| <b>Power supply</b> <sup>1</sup>   | 5 V ±10%                      | 1.25 W maximum (250 mA @ 5 V)  |
| (DRIVE-CLiQ system) <sup>2</sup>   | 24 V                          | Single readhead system: 3.05 W maximum (encoder: 1.25 W + interface: 1.8 W).<br>Dual readhead system: 4.3 W maximum (2 × encoders: 1.25 W each + interface: 1.8 W).<br>24 V power is provided by the DRIVE-CLiQ network.   |
|  | Ripple                        | 200 mVpp maximum @ frequency up to 500 kHz   |
| <b>Sealing</b>   | (readhead - standard and ETR) | IP64   |
|  | (readhead - UHV)              | IP30   |
|  | (DRIVE-CLiQ interface)        | IP67   |
| <b>Acceleration</b>  | (readhead - standard and UHV) | Operating 500 m/s <sup>2</sup> , 3 axes  |
|  | (readhead - ETR)              | Operating 300 m/s <sup>2</sup> , 3 axes (−40 °C to 0 °C); 500 m/s <sup>2</sup> , 3 axes (0 °C to 80 °C)  |
| <b>Shock</b>   | (readhead and interface)      | Non-operating 1000 m/s <sup>2</sup> , 6 ms, ½ sine, 3 axes   |
| <b>Maximum acceleration of scale with respect to readhead</b> <sup>3</sup> |                               | 2000 m/s <sup>2</sup>  |
| <b>Vibration</b>   | (readhead - standard and ETR) | Operating 300 m/s <sup>2</sup> , 55 Hz to 2000 Hz, 3 axes  |
|  | (readhead - UHV)              | Operating 100 m/s <sup>2</sup> , 55 Hz to 2000 Hz, 3 axes  |
|  | (DRIVE-CLiQ interface)        | Operating 100 m/s <sup>2</sup> , 55 Hz to 2000 Hz, 3 axes  |
| <b>Mass</b>  | (readhead - standard and ETR) | 18 g   |
|  | (readhead - UHV)              | 19 g   |
|  | (cable - standard and ETR)    | 32 g/m   |
|  | (cable - UHV)                 | 19 g/m   |
|  | (DRIVE-CLiQ interface)        | 218 g  |
| <b>Readhead cable</b>  | (standard and ETR)            | 7 core, tinned and annealed copper, 28 AWG<br>Outside diameter 4.7 ±0.2 mm<br>Single-shielded: Flex life > 40 × 10 <sup>6</sup> cycles at 20 mm bend radius<br>Double-shielded: Flex life > 20 × 10 <sup>6</sup> cycles at 20 mm bend radius<br><br>UL recognised component <br>Silver-coated copper braided single screen FEP core insulation over tin-plated copper wire. |
|  | (UHV)                         |  |
| <b>Maximum readhead cable length</b>                                       |                               | 10 m (to controller or DRIVE-CLiQ interface)<br>(Refer to Siemens DRIVE-CLiQ specifications for maximum cable length from DRIVE-CLiQ interface to controller)  |

**CAUTION:** The RESOLUTE encoder system has been designed to the relevant EMC standards, but must be correctly integrated to achieve EMC compliance. In particular, attention to shielding arrangements is essential.

<sup>1</sup> Current consumption figures refer to terminated RESOLUTE systems. Renishaw encoder systems must be powered from a 5 Vdc supply complying with the requirements for SELV of standard IEC 60950-1.

<sup>2</sup> The Renishaw DRIVE-CLiQ interface must be powered from a 24 Vdc supply complying with the requirements for SELV of standard IEC 60950-1.



<sup>3</sup> This is the worst case figure that is correct for the slowest communications clock rates. For faster clock rates, the maximum acceleration of scale with respect to the readhead can be higher. For more details, contact your local Renishaw representative.

## RESA30 and REXA30 ring technical specifications

|  |   |
|--|---|
| <b>Pitch</b>                                       | 30 $\mu\text{m}$                              |
| <b>Material</b>                                    | 303/304 stainless-steel                       |
| <b>Coefficient of thermal expansion (at 20 °C)</b> | 15.5 $\pm$ 0.5 $\mu\text{m/m/}^\circ\text{C}$ |

[www.renishaw.com/contact](http://www.renishaw.com/contact)

 #renishaw

 +44 (0) 1453 524524     [uk@renishaw.com](mailto:uk@renishaw.com)

© 2009–2023 Renishaw plc. All rights reserved. This document may not be copied or reproduced in whole or in part, or transferred to any other media or language by any means, without the prior written permission of Renishaw.  
RENISHAW® and the probe symbol are registered trade marks of Renishaw plc. Renishaw product names, designations and the mark 'apply innovation' are trade marks of Renishaw plc or its subsidiaries. Other brand, product or company names are trade marks of their respective owners. Renishaw plc. Registered in England and Wales. Company no: 1106260. Registered office: New Mills, Wotton-under-Edge, Glos, GL12 8JR, UK.

WHILE CONSIDERABLE EFFORT WAS MADE TO VERIFY THE ACCURACY OF THIS DOCUMENT AT PUBLICATION, ALL WARRANTIES, CONDITIONS, REPRESENTATIONS AND LIABILITY, HOWSOEVER ARISING, ARE EXCLUDED TO THE EXTENT PERMITTED BY LAW. RENISHAW RESERVES THE RIGHT TO MAKE CHANGES TO THIS DOCUMENT AND TO THE EQUIPMENT, AND/OR SOFTWARE AND THE SPECIFICATION DESCRIBED HEREIN WITHOUT OBLIGATION TO PROVIDE NOTICE OF SUCH CHANGES.

Part no.: M-9553-9735-04-A  
Issued: 03.2023